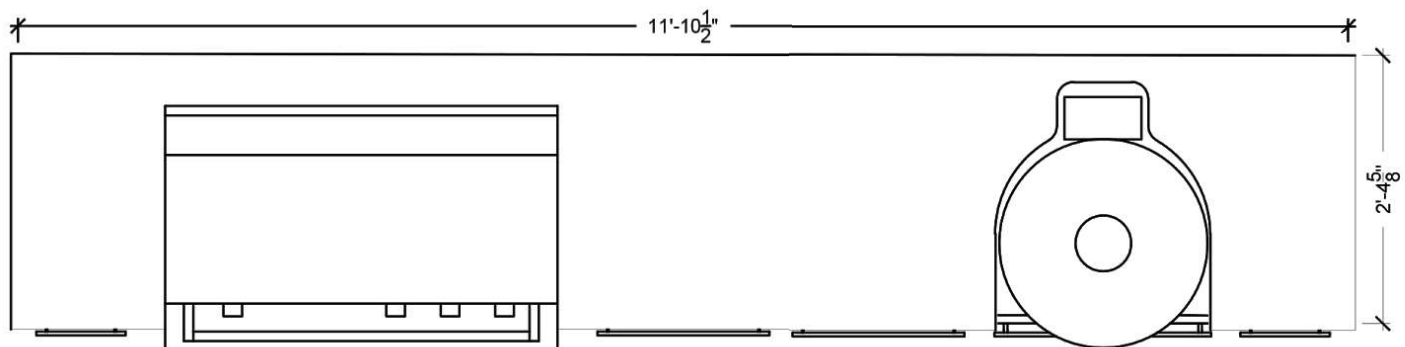


1 OUTDOOR KITCHEN ELEVATION  
10102

\* MEASUREMENTS DO NOT INCLUDE COUNTERTOP NOSING.



2 OUTDOOR KITCHEN PLAN  
10102

## Urban Bonfire

3700 RUE SAINT-PATRICK  
SUITE #110  
MONTRÉAL, QC. H4E 1A2  
514.932.8227

[DESIGN@URBANBONFIRE.COM](mailto:DESIGN@URBANBONFIRE.COM)  
[WWW.URBANBONFIRE.COM](http://WWW.URBANBONFIRE.COM)

PROJECT

SHADY OAKS

DESIGN NUMBER

10102

DETAILS

DRAWING

DATE

AUGUST 1, 2018