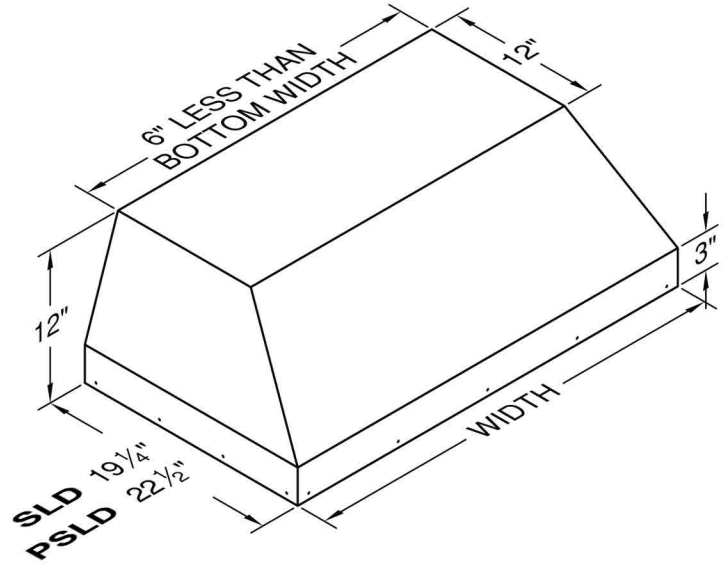
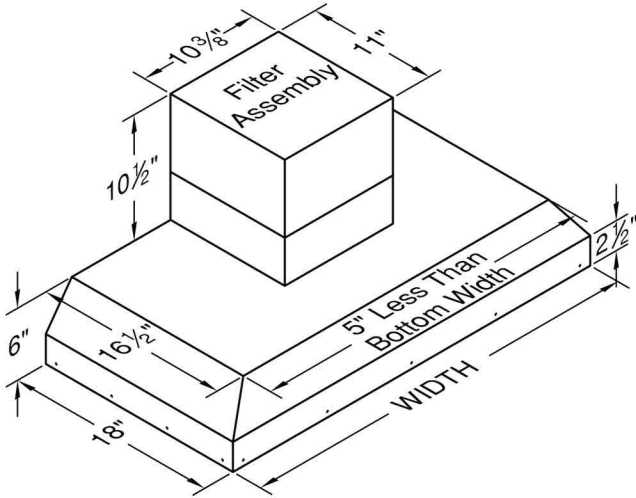


Vent-A-Hood®

Vent-A-Hood's ductless & ducted hood liners

KAHSLD ARS Specs

BH(P)SLD Magic Lung Specs



Corresponding Model Numbers

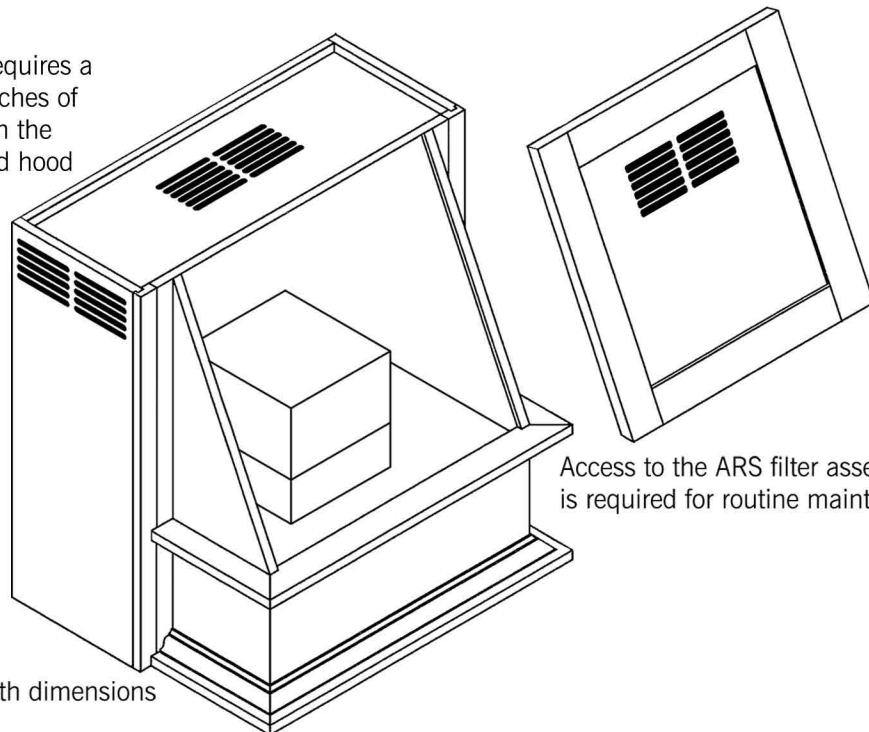
BHx28(P)SLD → KAH28SLD & ARSLP-12/10

BHx34(P)SLD → KAH34SLD & ARSLP-12/10

BHx40(P)SLD → KAH40SLD & ARSLP-12/10

Things to consider

The ARS filter assembly requires a minimum of 25 square inches of exhaust opening located in the top, sides, or front of wood hood



Different bottom depth dimensions

Access to the ARS filter assembly is required for routine maintenance