


.....

Freshness  
is the season  
where  
everything  
is seasonal.

.....

A kitchen scene featuring a dark countertop with a wooden cutting board. On the board are a whole pomegranate, a halved avocado, and some tomatoes. A small glass bowl of white powder sits to the left. In the foreground, a white plate holds a colorful dish of food, possibly a salad or tartare, garnished with a purple flower. The background shows a dark, textured wall and a wooden planter with greenery.

*“Healthy eating  
is something you can afford  
every day”*

## Freshness tastes good.

Since its foundation in 1989, Irinox has been acknowledged throughout the world as the specialist in blast chillers. The company has a true ability to anticipate the market’s future needs and is a pioneer in presenting the concepts of blast chilling and top-quality preservation in the catering, bakery and ice cream trades. Irinox has always believed in constant research and improving technologies for perfect food preservation. An innovator in spirit, over the years it has developed cutting-edge products, offering revolutionary concepts that have set new standards on the market. Irinox products not only provide freshness, but are also attractive, featuring new product design and simple intuitive controls. Irinox is the freshness company, where everything is natural and the pleasure of sharing life’s joys is to the fore.

*“I love raw fish.  
Thanks to Fresco I can eliminate  
bacteria from fish and make tartare,  
sushi, and thinly sliced raw fish,  
confident that they’re completely safe!  
What’s more, since I first came across it,  
low-temperature cooking has become my  
only way of cooking meat and fish”*



---

## Freshness makes us free.

---

Cooking is an art, passion, joie de vivre, and love. Irinox Home Collection is designed for everyone who enjoys eating well, who places importance on quality, freshness, taste and the genuine flavor only fresh food can give. **Irinox Home Collection** takes technology and design a step further to protect a treasure that belongs to us all: the vitamins, colors, flavor and aroma of fresh food. It's like creating a fifth season that combines all these qualities, to be enjoyed when they are at their peak.



Freddy



Zero



Wave

## Home Collection.

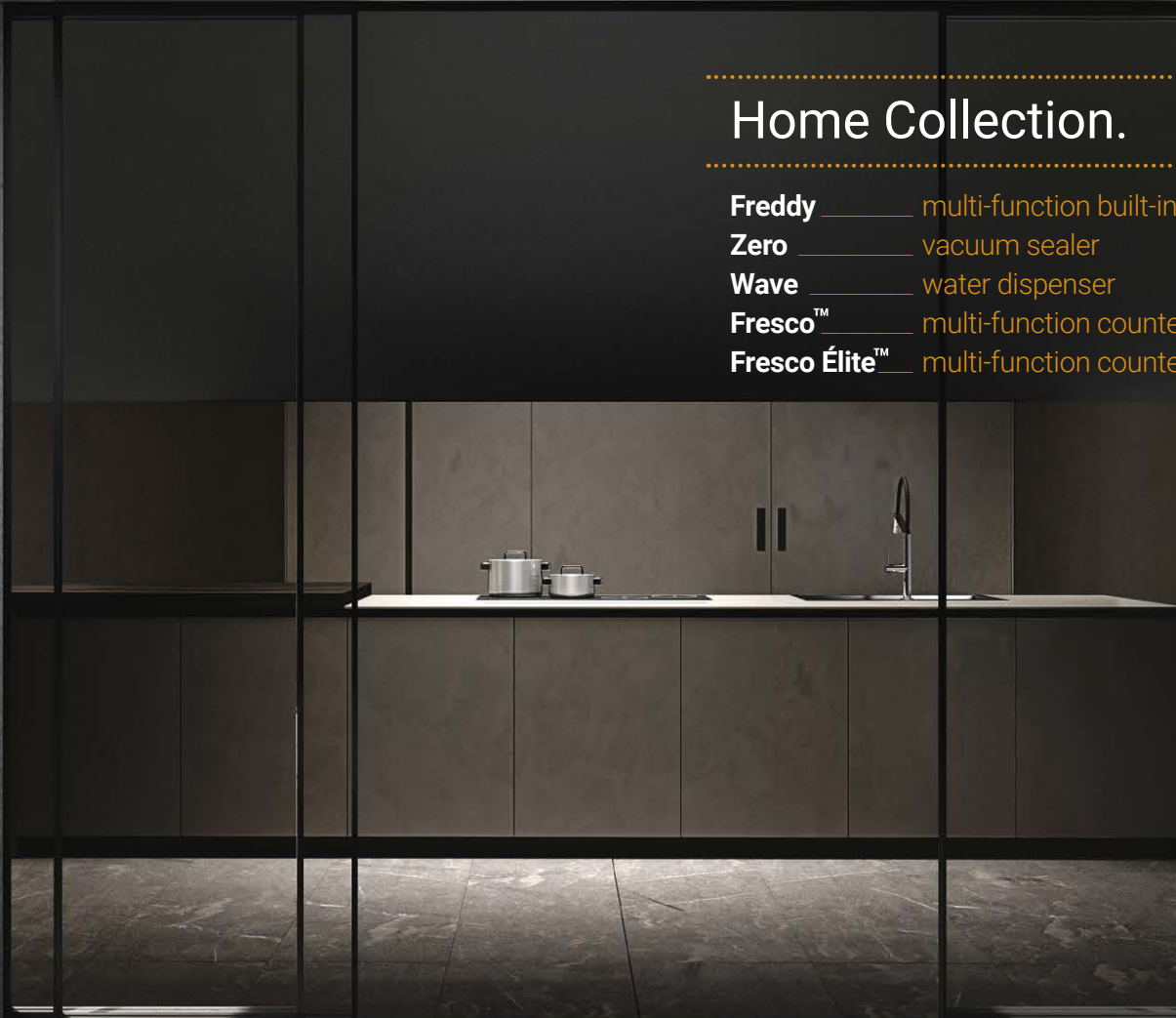
**Freddy** \_\_\_\_\_ multi-function built-in blast chiller

**Zero** \_\_\_\_\_ vacuum sealer

**Wave** \_\_\_\_\_ water dispenser

**Fresco™** \_\_\_\_\_ multi-function countertop blast chiller

**Fresco Élite™** \_\_\_\_\_ multi-function countertop blast chiller



Fresco Élite™



Fresco™

**Iriox Home Collection** is intelligence, sensitivity and desire expressed in the form of five products created to put the soul into cooking. The kitchen becomes a place where health and wellbeing reign. Design is enhanced by intelligent, people-friendly technology aimed at increasingly dynamic, balanced lifestyles. For us. For nature. For the pleasure of eating together.



**Freddy.** The multi-function built-in blast chiller.

**FRESHNESS IS AT HOME HERE.**

Freddy is the first blast chiller made for domestic use, with an essentialist design that's appealing in any kitchen. Freddy is a dream come true: a time machine that we can put to use to lock the succulence into food at just the right moment and keep it there over time. Flavor, vitamins, color and consistency can overcome space and time so that they can always be enjoyed at their best.



## Fresco™. The multi-function countertop blast chiller.

We are proud to introduce you to Fresco®, the appliance for magic, swift food chilling. You're sure to fall in love at first sight with its exclusive design, and once you've tried it, you'll never again want to do without it in the kitchen. Fresco® is the only household appliance that can triple the shelf life of fresh or cooked food, inspiring you to unleash your culinary potential and create flavors never tasted before.



---

## Fresco Élite™ .

### The multi-function blast chiller.

---

If you are looking to cook and store your dishes like a pro, bake your favourite salmon fillet at low temperature or simply eliminate Anisakis from fresh fish tartare, Fresco® Élite is what you need. With Fresco® Élite you will finally be able to enjoy the delicious taste of freshly picked summer strawberries in the midst of winter, and bring out of the fridge vegetables cooked five days before, still bursting with flavour and colour.

## A new quality of life.

Stopping time does not just mean enjoying one long period when all food is always 'in season', it also means having more time for ourselves as we can plan dishes to be

ready when we get home, leaving time to savor the company of friends. With Freddy & Fresco™ there's always someone there to see to everything.



### Zero waste.

The blast chiller helps reduce waste because food is preserved at its freshest with its quality maintained, tripling its shelf life. That means almost nothing is discarded.



### Extended freshness.

You can preserve the freshness of raw materials such as seasonal fruit and vegetables perfectly. Food that maintains its nutrients intact is healthier and can be enjoyed at any time of the year. With the blast chiller healthy eating becomes a good habit.



### Time saving.

Thanks to the blast chiller you can prepare food in advance, cooking when you have time and eating when you want. You can also do the shopping once a week, preserving the food and warming it up again as and when needed. Just what you've always wanted.



### The pleasure of time with friends.

You can use the blast chiller to prepare everything in advance and invite friends at the last minute, offering them the quality and variety of a meal planned days before. Having everything ready means you spend less time in the kitchen: now you can really savor spending time with friends.










## We've re-invented time.

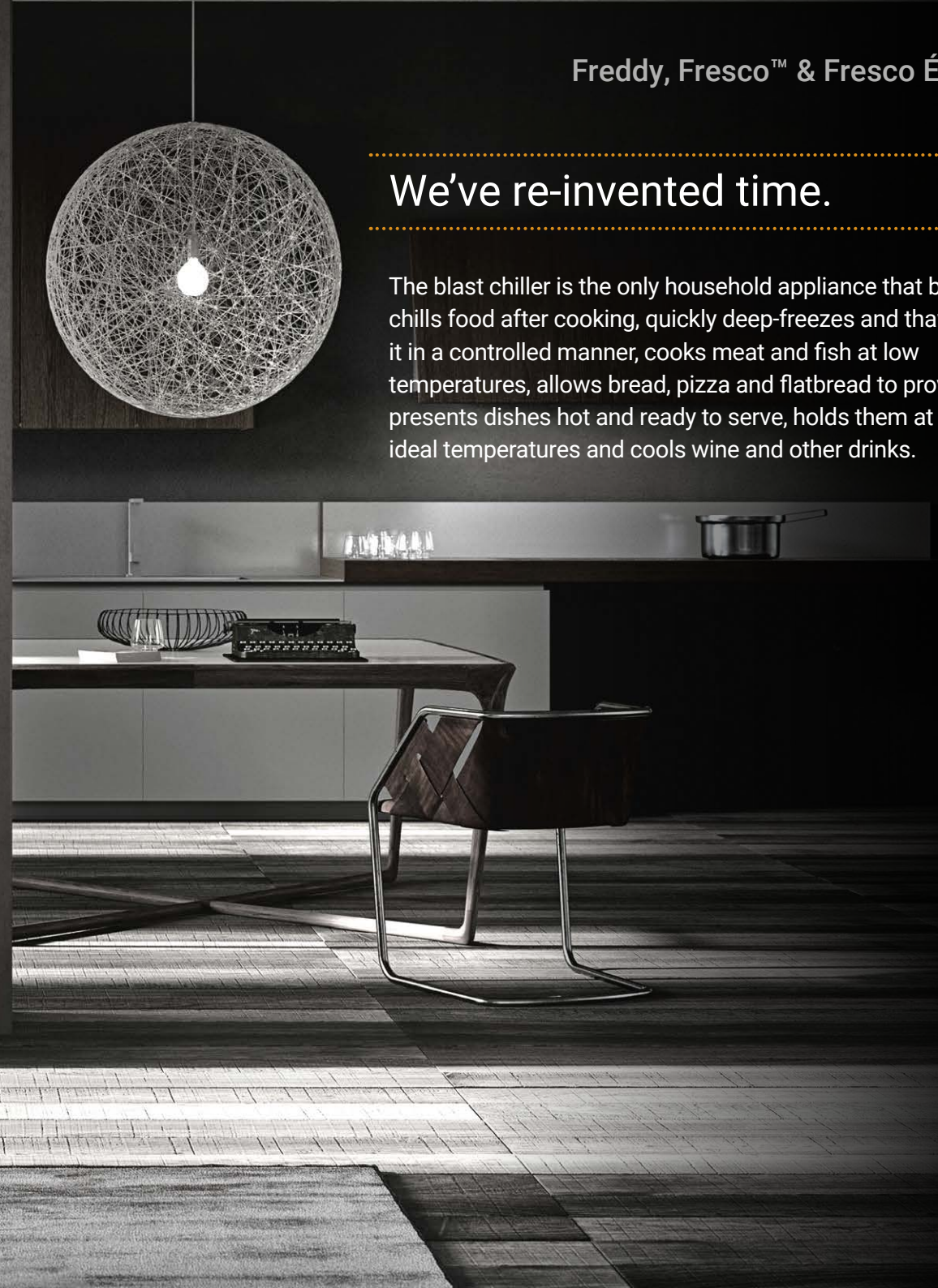
The blast chiller is the only household appliance that blast chills food after cooking, quickly deep-freezes and thaws it in a controlled manner, cooks meat and fish at low temperatures, allows bread, pizza and flatbread to prove, presents dishes hot and ready to serve, holds them at ideal temperatures and cools wine and other drinks.



### 9 WAYS TO LIVE WELL

Freddy unites blast chilling and slow heating, managing temperatures of -31 to 176 °F (-35 to +80 °C) and providing 9 innovative functions. Freddy is Irinox-patented technology.

-  **Blast chilling to 37 °F (+3 °C)**
-  **Shock freezing to 0 °F (-18 °C)**
-  **Gentle freezing to 0 °F (-18 °C)**
-  **Controlled thawing**
-  **Drinks cooling**
-  **Customized preservation**
-  **Low-temperature cooking**
-  **Natural proving**
-  **Ready-made dishes**



Good and fast,  
together for the first time.



#### **BLAST CHILLING TO 37 °F (+3 °C)**

Quickly lowers the core temperature of just-cooked hot food to 37 °F (+3 °C). By quickly dropping through the 104 to 50 °F (+40 to +10 °C) temperature range, the blast chiller blocks evaporation and prevents the proliferation of bacteria. Ideal for preserving the quality, fragrance, colors and aromas of food, tripling its shelf life.

**Any cooked food can be blast-chilled and kept in the fridge for up to 7 days.**



Find out more about  
Blast Chilling

Quality is  
a dish best served cold.



Find out more  
on blast chilling.



### SHOCK FREEZING TO 0 °F (-18 °C)

As the blast chiller quickly reaches a temperature of -31 °F (-35 °C) inside the cabinet, the shock-freezing cycle rapidly takes food to 0 °F (-18 °C) at the core. In this way preservation is perfect and when thawed, food will be exactly as it was when fresh.

Shock-frozen food can be kept in the freezer for up to 6-8 months.



Find out more about  
Shock Freezing



### GENTLE FREEZING TO 0 °F (-18 °C)

Ideal for hot and/or delicate food, this cycle lowers the temperature to 37 °F (+3 °C), which gradually drops to 0 °F (-18 °C) at the core: the result is rapid but non-aggressive freezing.

Essential for delicate food that must be kept in the freezer.



Find out more about  
Gentle Freezing

Like before,  
more than before.



Temperature  
is no longer just an idea.



### CONTROLLED THAWING

The blast chiller thaws food rapidly by means of gentle ventilation that holds ice micro-crystals inside the food. Food that has undergone controlled thawing maintains its quality and fragrance perfectly, just as if it were fresh and had never been frozen.

**Ideal for all food, even the most delicate.**



Find out more about  
Controlled Thawing



### DRINKS COOLING

It takes just a few minutes to chill wine, cool soft drinks and offer guests fresh aperitifs. The blast chiller cools bottles at a speed of approximately 33.8 °F (+1 °C) per minute, giving you the pleasure of enjoying drinks at their ideal temperature.

**You're always ready when unexpected guests turn up.**



Find out more about  
Bottle Cooling

Delicacy above all.



Great dishes demand patience.



### CUSTOMIZED PRESERVATION

This is the function that adapts to the most modern needs and meets all requirements, as it allows you to choose the ideal temperature, from -4 to 176 °F (-20 to +80 °C), **to preserve your food, even the most delicate**, such as home-made ice-cream (10.4 °F / -12 °C), or fresh fish (35.6 °F / +2 °C), and to melt chocolate like in a bain marie (104 °F / +40 °C).



Find out more about Customized Preservation



### LOW-TEMPERATURE COOKING

Low-temperature cooking gently cooks meat and fish, never exceeding a core temperature of 158 °F (+70 °C). It enhances flavors, maintains a tender consistency and ensures uniform cooking.

**For cooking meat and fish, bringing out their tenderness and flavor.**



Find out more about Low Temperature Cooking

An exciting phenomenon.



### NATURAL PROOFING

Controlled proofing at a constant temperature allows the yeast in bread, pizza and brioche to develop perfectly. The blast chiller makes sure all proved items have intense flavor, a light structure and just the right crumbliness as well as being easy to digest.

**Makes bread, pizza and brioche dough easier to digest.**



Find out more about  
Natural Proofing

Home, sweet home.



### READY-MADE DISHES

Your food is piping hot just when you want it. Simply program the time you will be coming home and dishes are first held as if in the fridge, then taken to the pre-set heating temperature.

**Enjoy the convenience of coming home to find your meal freshly oven heated.**



Find out more about  
Ready-made Dishes

## Your new life with a blast chiller.

It's incredible how the blast chiller can change your habits. Time is the new currency, to spend as you like, a currency that will earn you a better quality of life.



The first produce from your garden, even in December.



A healthy snack always to hand.



Entirely safe sushi and raw fish, at home.



Ready-to-serve finger food for those last-minute happy hours.



A stock of your favorite dishes always ready.



Home-made bread, fresh every day.



Shop when you want, not when you must.



Cook once a week and enjoy your leisure time.



## Zero. Vacuum sealer.

### **ATTRACTIVE ON THE OUTSIDE, FRESH ON THE INSIDE.**




Zero is the first built-in professional-standard vacuum sealer that can reach a vacuum close to absolute zero, which truly slows down the aging and oxidation of food. This is a superior quality, natural process that is extremely effective in keeping the properties of food intact longer, without compromising nutrients.



## Viva vacuum.

Zero is indispensable for vacuum cooking and preserving food in the fridge up to five times longer. The soft-touch control panel is used to quickly set three different degrees of vacuum and select pre-set cycles for marinades, meat aging and liquids. Zero is extremely flexible: it adapts to different needs, even the most demanding, to create customized settings to suit the type of food and the required result. Zero also makes it possible to prepare food for sous-vide cooking in water, with Freddy or in a steam oven.

### SIX PROGRAMS A THOUSAND SOLUTIONS

- Gentle vacuum
- Preservation vacuum
- Extreme vacuum
-  Meat aging
-  Marinating
-  Liquids

A gentle touch  
for even the most delicate dishes.



#### GENTLE VACUUM PRESERVATION VACUUM



For vacuum packing delicate food such as soft cheese, cakes, salads and anything that easily crushes. This function is used to hermetically seal vacuum bags by simply heat sealing them without necessarily creating a vacuum.

A very special atmosphere.



#### PRESERVATION VACUUM



This function is used for vacuum packing most food, such as cooked vegetables, fruit, tender meat, pasta and liquids like soup, cream, sauces and jam.

Get sucked in.



#### EXTREME VACUUM



The ideal program for vacuum packing solid food such as raw vegetables, hard cheese and cold cuts, and for preparing food for perfect sous-vide cooking.

Not so tough any more.



#### MEAT AGING MARINATING

Zero's meat aging program takes just a short time to tenderize meat. With this procedure the meat undergoes repeated vacuum cycles so that its fibers become softer and ready for cooking. The vacuum cycle can be repeated 2 to 15 times.

All the flavor  
without wasting time.



### MARINATING

This program is used to marinate food perfectly. The vacuum created in this cycle ensures that the oil and spices in a bag containing meat, fish or vegetables are quickly absorbed to flavor the food. On average, marinating lasts 5 minutes, but the time can vary from 1 to 15 minutes according to the cut of meat or size of the fish.

The art of giving shape  
to liquids.



### LIQUIDS

The vacuum program for liquids is used to seal bags containing cold liquids, such as soup, sauces, ragout or jam. Designed to help you create a personal stock of seasonal jam, preserves and pickled produce, it's the ideal function for mothers who want to prepare their own baby and infant food.



## Wave Hot&Cold. Water dispenser.

### **MICROFILTERED WATER, FROM THE FIRST TO THE LAST DROP.**

Wave is a domestic water dispenser that connects directly to your home's mains to provide instant premium microfiltered water, chilled, sparkling, room temperature or hot. Using an advanced filtration system that removes up to 99% of contaminants, Wave gives you pure water from the first to the last drop.

Wave's purified water is not just free of pollutants but also tastes great and is totally odourless, ensuring every sip is exceptionally fresh.

## Pure water has a flavour. Actually four.

Wave delivers four types of microfiltered water: room temperature, chilled, chilled carbonated, and hot at 185 °F (85 °C). Wave produces room temperature water that is purified up to 99.9% and comes with three temperature settings and an adjustable carbonation system to give you water from 41 to 53.6 °F (5 to 12 °C) and with just the right degree of sparkle.


Teas and herbal teas should be brewed at the correct water temperature. Wave delivers water at 185 °F (85 °C), which is the perfect temperature for preserving the aroma molecules and all desirable compounds that should go into your cup\*.

\*Source: sorgentenatura.it



### THE LUXURY OF SIMPLICITY.

A simple pleasure to look forward to:  
a glass of water always to hand.

-  Ambient temperature
-  Sparkling chilled
-  Chilled
-  Hot water

It's as easy  
as drinking a glass of water.



Wave is extremely easy to use; its display has four simple buttons, one for each function. It's easy to select and immediately receive the type of water at the required temperature. It's as easy as drinking a glass of water.



**IRINOX LAB. A LOVE OF GOOD THINGS,  
A PASSION FOR BEAUTY.**

**Irinox LAB** is the place created by Irinox Home to shape its brand and bring it to life. It's a real laboratory and a showroom that's also a lounge where people can meet, exchange and compare ideas.



A place where the big names in kitchen furniture, Italian and international customers and interior designers meet to experience Irinox Home Collection products in action.





# Freddy. Multi-function built-in blast chiller.



## Technical details

➤ Freddy, a professional-standard blast chiller, is designed to fit into all standard 23.622 inch tall units. It is convenient and practical to fit and is enhanced by uncluttered design with no protrusions. Made in AISI 304 18/10 stainless steel, it merges seamlessly with any type of kitchen furniture or décor.

➤ Freddy is available in stainless steel, black glass or any material from the De Castelli range.

➤ Freddy is operated via an easy-to-use digital interface with multiple functions. The controls are soft-touch, entirely without push buttons.

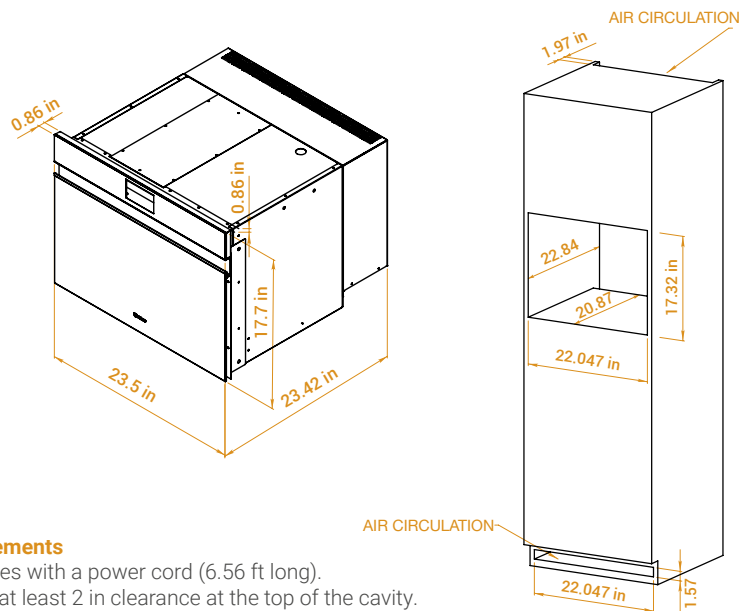
➤ All Freddy components comply with the most stringent international environmental and food safety standards.

## Dimensions

W 23.5 in  
D 23.42 in  
H 17.7 in

## Internal chamber

W 17.98 in  
D 13.57 in  
H 10.04 in



## Installation requirements

The appliance comes with a power cord (6.56 ft long). Make sure there is at least 2 in clearance at the top of the cavity. Fit the appliance away from heat sources, ovens or appliances that produce heat. Provide a type B socket behind the appliance.



## Technical specifications

Technical specifications	Freddy 45
Blast chilling cycle output 194/37 °F (+90/+3 °C)	7 lb
Shock freezing cycle output 194/0 °F (+90/-18 °C)	6 lb
Voltage	110-120V - 1Ph - 60Hz
Max. absorbed power	780 W
Total current draw	7.42 A
Compressor power	0.33 Hp
Net machine weight	94 lb
Refrigerant	R290
Total number of wire shelves	2

## Standard accessories:

Stainless steel wire shelves (2 for Freddy 45) / Core probe.



## Optional accessories for Freddy

1. **Stainless steel lid**  
12.79 x 10.43 in
2. **Polycarbonate lid**  
12.79 x 10.43 in
3. **Wire shelf**
4. **Shallow stainless steel baking pan**  
12.79 x 10.43 x H 1.57 in
5. **Stainless steel pizza pan**  
12.79 x 10.43 in
6. **Polycarbonate baking pan**  
12.79 x 10.43 x H 2.56 in
7. **Pizza sheet pan**  
12.79 x 10.43 in

## Fresco™. Multi-function countertop blast chiller.



Health and taste in the kitchen.

### Technical details

➤ Fresco™ manages temperatures from -31 to +167 °F (-35° to +75 °C)

➤ The internal chamber is built in stainless steel.

➤ Fresco™ has 9 different functions: blast chilling, shock freezing, gentle freezing, customized preservation, controlled thawing, drinks cooling, low-temperature cooking, natural proofing, ready meals.

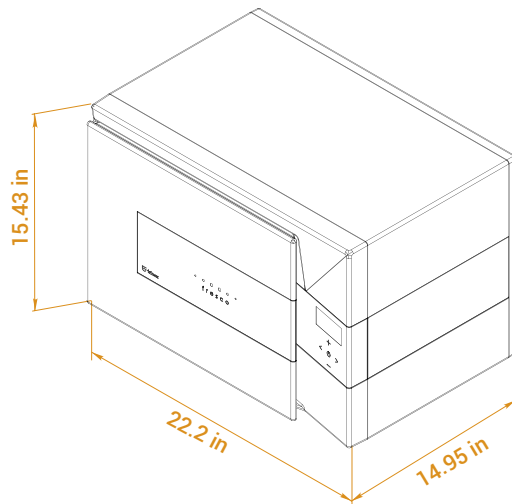
➤ Fresco™ is built with patented, 100% Italian technology

### Dimensions

W 22.20 in  
D 14.95 in  
H 15.43 in

### Internal chamber

W 13 in  
D 11.6 in  
H 7.51 in



### Technical specifications

Technical specifications	Fresco™
Yield for blast chilling cycle 194/37 °F (+90/+3 °C)	5lb at 90°F (32.2 °C)
Yield for shock freezing cycle 194/0 °F (+90/-18 °C)	5lb at 90°F (32.2 °C)
Trays capacity n.2 GN 1/2   H=1 37/64 in	No. of pans (GN 1/2   H=1.58 in)
Electric supply	120V - 1Ph - 60Hz
Total rating	324 W
Full load amps	3.10 A
Gas type / Gas charge	R290 / 1.97 oz
Climatic class	T (64 - 109°F)
Net weight	63 lb



### Optional accessories for Fresco™

#### 1. Stainless steel lid

12.79 x 10.43 in

#### 2. Polycarbonate lid

12.79 x 10.43 in

#### 3. Wire shelf

#### 4. Shallow stainless steel baking pan

12.79 x 10.43 x H 1.57 in

#### 5. Stainless steel pizza pan

12.79 x 10.43 in

#### 6. Polycarbonate baking pan

12.79 x 10.43 x H 2.56 in

#### 7. Pizza sheet pan

12.79 x 10.43 in

## Fresco Élite™. Multi-function countertop blast chiller.



**Healthy eating is something you can afford every day**

### Technical details

➤ Fresco™ manages temperatures from -31 to +167 °F (-35° to +75 °C)

➤ The internal chamber is built in stainless steel.

➤ Fresco™ has 9 different functions: blast chilling, shock freezing, gentle freezing, customized preservation, controlled thawing, drinks cooling, low-temperature cooking, natural proofing, ready meals.

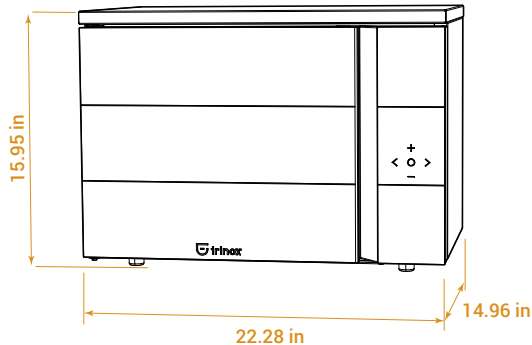
➤ Fresco™ is built with patented, 100% Italian technology

### Dimensions

W 22.28 in  
D 14.96 in  
H 15.95 in

### Internal chamber

W 13 in  
D 11.6 in  
H 7.51 in



### Finishes

Brushed stainless steel outer finish - Dark grey toughened glass door - Dark grey toughened glass control panel - Brushed stainless steel handle - Stainless steel back



### Technical specifications

Technical specifications	Fresco Élite™
Yield for blast chilling cycle 194/37 °F (+90/+3 °C)	5lb at 90°F (32.2 °C)
Yield for shock freezing cycle 194/0 °F (+90/-18 °C)	5lb at 90°F (32.2 °C)
Trays capacity n.2 GN 1/2   H=1 37/64 in	No. of pans (GN 1/2   H=1.58 in)
Electric supply	120V - 1Ph - 60Hz
Total rating	324 W
Full load amps	3.10 A
Gas type / Gas charge	R290 / 1.97 oz
Climatic class	T (64 - 109°F)
Net weight	73 lb



### Optional accessories for Fresco Élite™

#### 1. Stainless steel lid

12.79 x 10.43 in

#### 2. Polycarbonate lid

12.79 x 10.43 in

#### 3. Wire shelf

#### 4. Shallow stainless steel baking pan

12.79 x 10.43 x H 1.57 in

#### 5. Stainless steel pizza pan

12.79 x 10.43 in

#### 6. Polycarbonate baking pan

12.79 x 10.43 x H 2.56 in

#### 7. Pizza sheet pan

12.79 x 10.43 in

## Wave hot&cold. Built-in water dispenser.



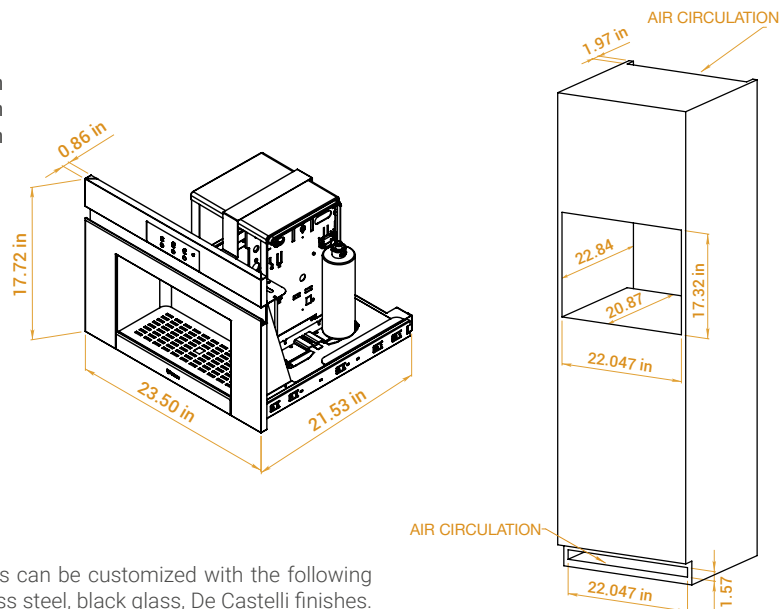
### Technical details

- Wave delivers four types of microfiltered water: room temperature, chilled, chilled carbonated, and hot at 185 °F (85 °C).
- Wave is available built-in, 17.72 in high.
- Wave controls are soft-touch technology, totally without buttons.
- Wave comes with a disposable CO<sub>2</sub> cylinder (standard) and can also be used with rechargeable cylinder (An average of 32 gallons of carbonated water is produced with a 5.16 oz cylinder).
- Inside Wave there is a disposable CO<sub>2</sub> cylinder which must be periodically changed. The carbon dioxide consumption depends on the degree of sparkle used for the water.

### Built-in Wave Hot&Cold

### Dimensions

W min. 23.50 in  
D min. 21.53 in  
H min. 17.72 in



### Finishes

All Wave models can be customized with the following finishes: stainless steel, black glass, De Castelli finishes.

### Technical specifications

Technical specifications	Wave 45 Hot&Cold
Compressor Power	1/11Hp
Voltage	115V - 1Ph - 60 Hz
Chilled and sparkling water production	4 gallons/h
Adjustable carbonation system	min.- max 29 ÷ 51 PSI
Adjustable cold water temperature	41 to 53.6 °F (5 to 12 °C)
Adjustable cold water temperature	185 °F +/- 1 °F (85 °C +/- 1 °C)
Water inlet pressure	29 ÷ 51 PSI
Max. absorbed power	610 W
Capacity of disposable CO <sub>2</sub> Filter duration	5.16 oz
Filter duration	Gallons 713.26 / 1 year
Net weight of built-in machine	77 lb
Refrigerant gas	R134a
Climatic class	N (60.8 ÷ 89.6 °F)

**Standard accessories:** 1 x class 1 NSF certified filter / 1 x 5.16 oz disposable CO<sub>2</sub> cylinder / 1/4" food-grade tube for water connection with 3/4" F connector / Overflow safety device / Overflow valve.

**Option:** "Claris" filter for hot water preserves from the formation of limestone and ensures durability over time. The use of the filter is highly recommended when the water inlet has a hardness  $\geq 17$  °F. The appliance proposes an "early warning" filter after 5 months and an alarm after 6 months to verify the status, not interrupting the delivery; The replacement is recommended between 6 months and 1 year, depending on the water hardness level. 13 oz external CO<sub>2</sub> cylinder.

### Installation requirements

The appliance comes with a power cord (59 in long) and type B plug. A power supply and potable water inlet are required for fitting. A polyethylene food-grade tube is provided, with 3/4" F connector.

For the built-in version on tall units, fit the pull-out runners on the internal side panels of the cabinet. It is essential to leave at least 1.97 in clearance at the back of the cabinet from the top to the bottom of the tall unit.

Fit the appliance away from heat sources, ovens or other appliances that produce heat or require the circulation of large amounts of air. Pull the appliance out of its position for periodical maintenance by a specialist technician.

Check the filter and CO<sub>2</sub> cylinder regularly. The duration of the filter incorporated in the appliance is Gallons 713.26 s or 1 year. The filter must always be in good condition. The appliance offers an 11-month filter pre-alarm and 12-month alarm without interrupting the delivery. The replacement of the filter and sanitization of the plant must be done by qualified persons after 12 months of use to ensure the wholesomeness of the plant and the quality of the water supplied. Wave houses a disposal CO<sub>2</sub> cylinder which must be replaced as and when necessary. The amount of carbon dioxide used depends on the level of sparkle chosen for the water. On request the system can be prepared for the use of a 13 oz rechargeable external CO<sub>2</sub> cylinder with a 137 in connecting pipe.

## Zero. Vacuum sealer.



### Technical details

➤ Available in three heights: 17.72, 14.17 or 5.90 in.

➤ Depending on the version, the internal chamber is big enough to contain traditional glass jars. Alternatively, it can be connected to external containers by means of the special adaptor provided.

➤ Indispensable for vacuum cooking, Zero extends the storage life of food, both solid and liquid, up to fivefold.

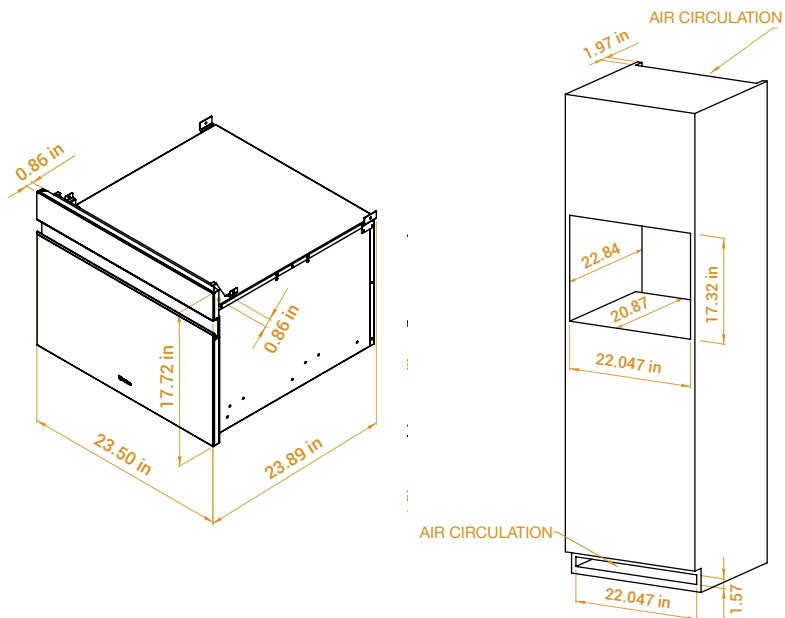
### Zero 45 built-in

#### Dimensions

W 23.50 in  
D 23.89 in  
H 17.72 in

#### Internal chamber

W 12.90 in  
D 12.75 in  
H 5.23 in



### Technical specifications

	Zero 45	Zero 36
Vacuum pump	2.11 Gal/h	2.11 Gal/h
Voltage	120V - 1Ph - 60Hz	120V - 1Ph - 60Hz
Max. absorbed power	730 W	730 W
Max. sealable width	11.8 in	11.8 in
Vacuum capacity	99.90%	99.90%
Residual pressure	< 10 mbar	< 10 mbar
Chamber in	AISI 304 - 18/10 stainless steel	AISI 304 - 18/10 stainless steel
Made of	AISI 304 - 18/10 stainless steel	AISI 304 - 18/10 stainless steel
Net machine weight	105 lb	99 lb
Vacuum chamber volume	3.69 Gal	3.69 Gal

**Standard accessories:** Set of assorted vacuum bags (25 7.87 x 9.84 in bags, 25 9.84 x 11.81 in bags) ideal for freezing, preserving and cooking food at low temperature / HDPE shelf / External vacuum nozzle / External vacuum connecting pipe.

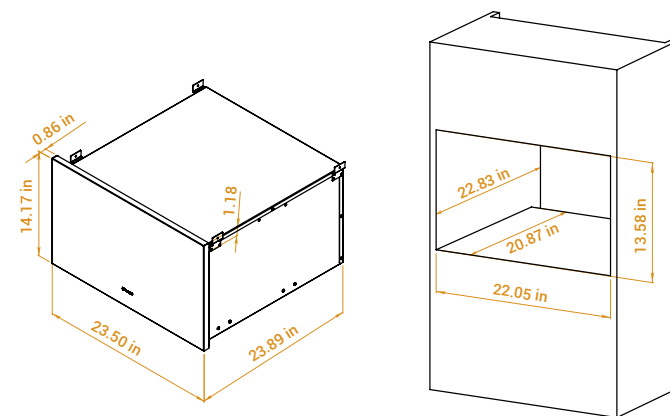
### Zero 36 built-in

#### Dimensions

W 23.50 in  
D 23.89 in  
H 14.17 in

#### Internal chamber

W 12.90 in  
D 12.75 in  
H 5.23 in



### Finishes

All Zero models can be customized with the following finishes: stainless steel, black glass, De Castelli finishes. >> For further details see Available finishes

## Zero. The vacuum sealer.

Technical specifications	Zero 15
Vacuum pump	1.84 Gal/h
Voltage	120V - 1Ph - 60Hz
Max. absorbed power	400 W
Max. sealable width	11.8 in
Vacuum capacity	99.90%
Residual pressure	< 10 mbar
Chamber in	AISI 304 - 18/10 stainless steel
Made of	AISI 304 - 18/10 stainless steel
Net machine weight	79 lb
Vacuum chamber volume	1.84 Gal

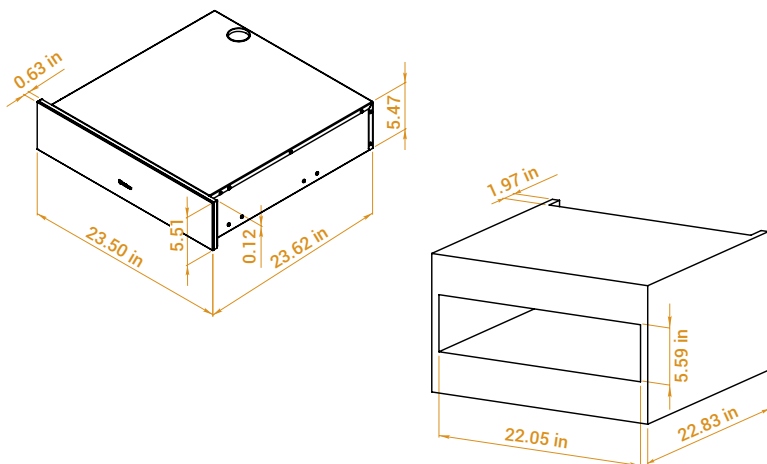
### Zero 15 built-in

#### Dimensions

W 23.50 in  
D 23.62 in  
H 5.51 in

#### Internal chamber

W 12.90 in  
D 12.75 in  
H 2.51 in



#### Installation requirements

The appliance comes with a power cord (59 in long). Provide a type B plug behind the appliance.

info@irinoxhome.com  
+9546102961  
irinoxhomeusa.com

#### Irinox S.p.A.

Via Madonna di Loreto 6/B  
31020 Corbanese (TV) - Italy  
+39 0438 5844  
www.irinoxhome.com



[irinoxhomeusa.com](http://irinoxhomeusa.com)