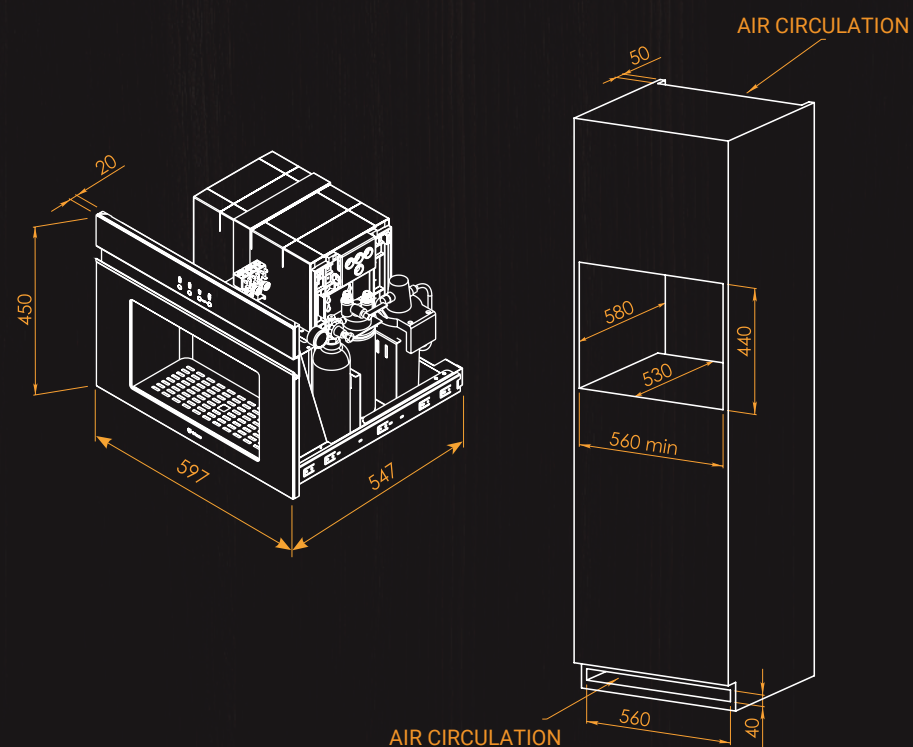
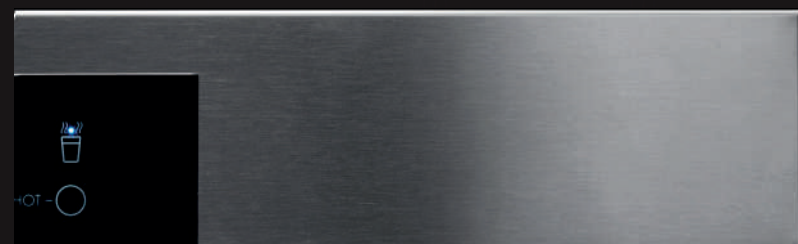


TECHNICAL CHARACTERISTICS

W x D x H | 597x547x450 mm



ITALIAN DESIGN AND MANUFACTURE



Wave is 100% designed and manufactured in Italy using materials with zero environmental impact.

Wave is the eco-friendly solution that's good for your health and the environment too!

Available black glass or stainless steel finish.

Follow us on    

irinoxhome.com

Wave.

Hot&Cold

Built-in water dispenser



 **irinox**
The Freshness Company®

WAVE.

MICROFILTERED WATER, FROM THE FIRST TO THE LAST DROP.

Wave is a domestic water dispenser that connects directly to your home's mains to provide instant premium microfiltered water, chilled, sparkling, room temperature or hot. Using an advanced filtration system that removes up to 99% of contaminants, Wave gives you pure water from the first to the last drop.

Wave's purified water is not just free of pollutants but also tastes great and is totally odourless, ensuring every sip is exceptionally fresh.



Say goodbye to plastic bottles! Wave saves you the hassle of having to buy bottled water supplies, helping you make a shift to living plastic free!

PURE WATER HAS A FLAVOUR. ACTUALLY FOUR.

Wave delivers four types of microfiltered water: room temperature, chilled, chilled carbonated, and hot at 80°C.



Wave produces room temperature water that is purified up to 99.9% and comes with three temperature settings and an adjustable carbonation system to give you water at 4°C, 6°C or 8°C and with just the right degree of sparkle.



Teas and herbal teas should be brewed at the correct water temperature. Wave delivers water at 80°C, which is the perfect temperature for preserving the aroma molecules and all desirable compounds that should go into your cup*.