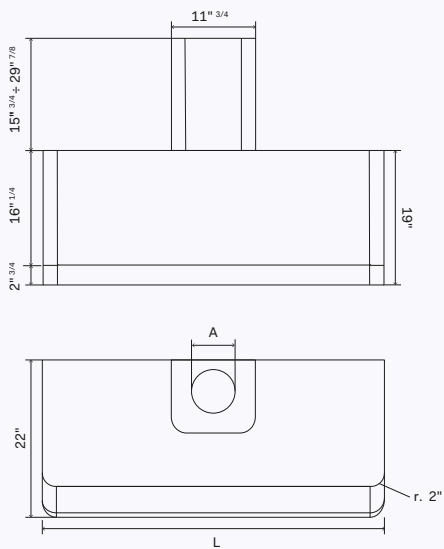


UAPM

Wall-mounted extraction hood



Color range

Body



Stainless steel - SS



Matt black - MK

Finishes

Frames



Stainless steel



UAPM90-MK

Sizes:
L = 35" 7/8 / A = 5" 7/8

\$ 3.758.00

Stainless steel back panel (h. = 26" / sp. = 1/2")

AM4-90 \$ 275.00

Flue extension (h. 31 1/2")

EA0883008000008* \$ 581.00



UAPM90

Sizes:
L = 35" 7/8 / A = 5" 7/8

\$ 3.758.00

Stainless steel back panel (h. = 26" / sp. = 1/2")

AM4-90 \$ 275.00

Flue extension (h. 31 1/2")

EA0883008000008* \$ 581.00



UAPM120

Sizes:
L = 47" 7/8 / A = 7" 7/8

\$ 5.235.00

Stainless steel back panel (h. = 26" / sp. = 1/2")

AM4-120 \$ 349.00

Flue extension (h. 31 1/2")

EA08830080000015* \$ 581.00

General features

- Front LED bar
- Painted steel body, AISI 304 stainless steel (only inox version)
- Anodised aluminium filters
- Automatic filter cleaning warning light
- Perimetral extraction with maximum air flow 600 cfm / 850 cfm on mod UAPM120
- Maximum power 450 W
- Four-speed backlit touch controls
- Flue outlet hole dimension 5" 7/8 - 7" 7/8 on mod UAPM120
- 3 speeds + intensive
- Automatic delayed shutdown