

FREDDY

The Blast Chiller

THE FIRST DOMESTIC
BLAST CHILLER

Freddy, a professional-standard blast chiller, is designed to fit into all standard 23.6 inches tall units.

It is convenient and practical to fit and is enhanced by an uncluttered design with no protrusions.

TECHNICAL DETAILS

- 1) Made in AISI 304 18/10 stainless steel, it merges seamlessly with any type of kitchen furniture or decor.
- 2) Freddy is operated via an easy-to-use digital interface with multiple functions. The controls are soft-touch, entirely without push buttons.
- 3) Freddy is available in stainless steel, black glass or any material from the De Castelli range.
- 4) All Freddy components comply with the most stringent international environmental, and food safety standards.



TECHNICAL SPECIFICATIONS

Freddy 45

| | |
|--|---------------------|
| Blast chilling cycle output (194°F/90°C to 37.4°F/3°C) | 7.7 lbs |
| Shock freezing cycle output (194°F/90°C to 0.4°F/18°C) | 6.6 lbs |
| Voltage | 120 V - 1 Ph - 60Hz |
| Max.absorbed power | 500 W |
| Total current draw | 2.2 A |
| Compressor power | 0.33 Hp |
| Refrigerant | R290 |
| Net machine weight | 97 lbs |
| Total number of wire shelves | n.2 |
| Yeld for blast chilling cycle | 3.5 kg (7lb) |
| Yeld for shock freezing cycle | 3 kg (6lb) |
| Number of trays | 2 |
| Temperature cooling/heating | up to -31 / 185 °F |
| Total rating | 780 W |
| Total output | 7, 42A |
| Compressor rating | 0,33 Hp |
| Refrigerant type | R290 |
| Refrigerant charge | 56gr (1,97 oz) |
| Net cabinet weight | 43 Kg (94lb) |

STANDARD ACCESSORIES:

- 2 Stainless steel wire shelves
- Core probe
- Hygienizing spray
- 1 microfibre cloth.

FINISHES

All Freddy models can be customized with the following finishes: satin stainless steel, black glass, fronts in a variety of materials, and in any colour of the RAL range.

It is convenient and practical to fit and is enhanced by an uncluttered design with no protrusions.

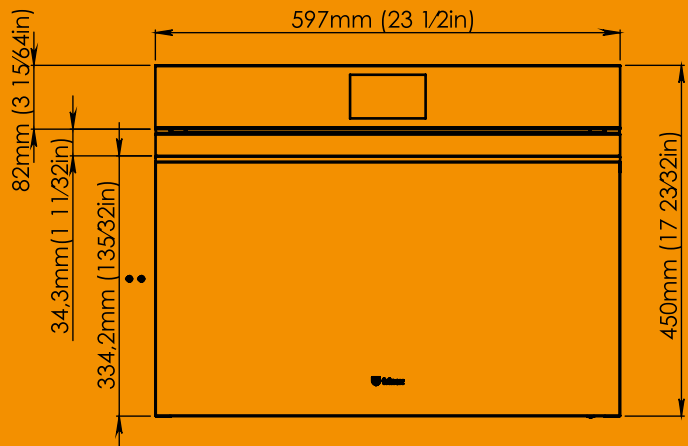
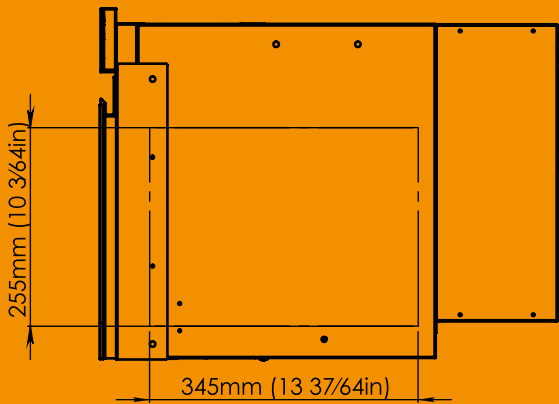
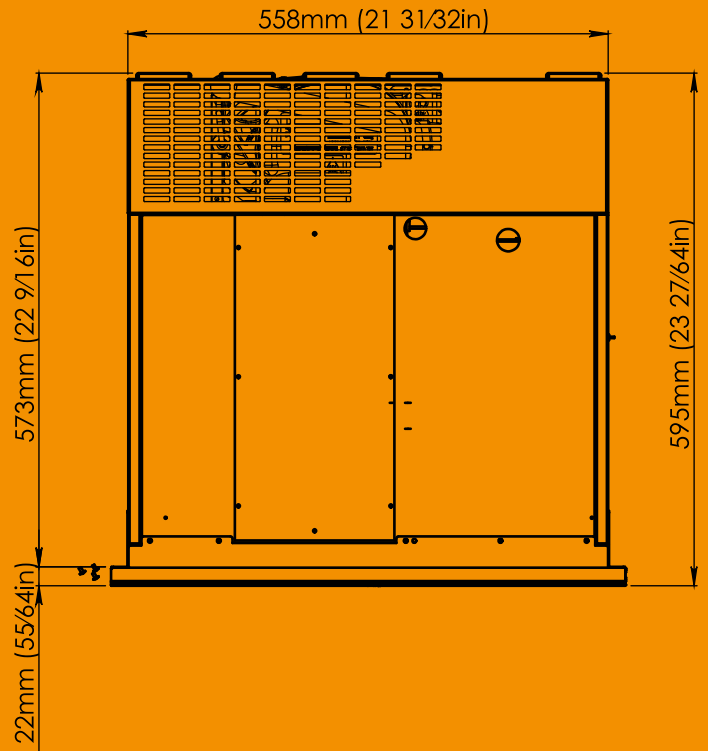
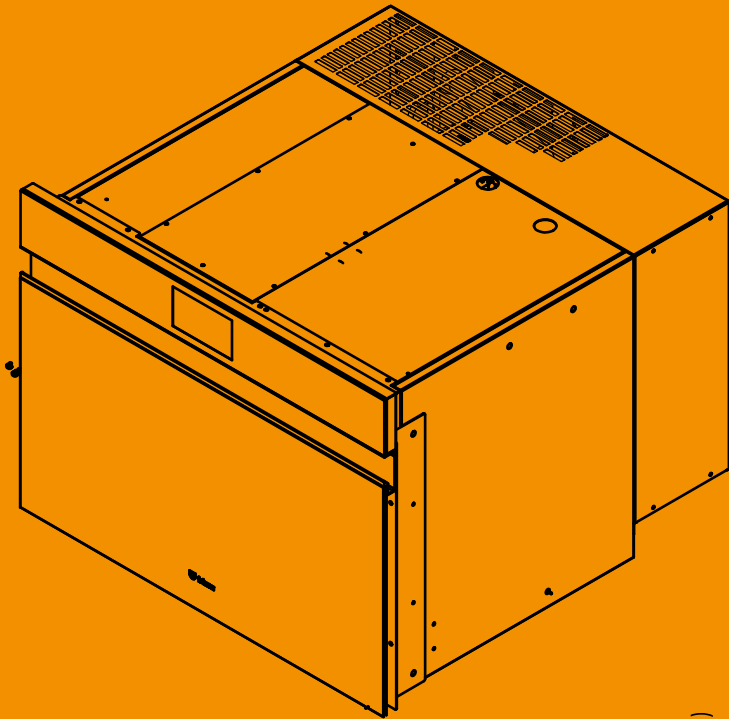
INSTALLATION REQUIREMENTS

The appliance comes with a power cord (2 m long).

Make sure there is at least 50 mm clearance at the top of the cavity. Fit the appliance away from heat sources, ovens or appliances that produce heat.

Provide a Type B socket behind the appliance.

FREDDY 45 BUILT IN



INTERNAL DIMENSION CABINET:

W= 457 mm (17 63/64 in)

x

H=255mm (10 3/64 in)

x

D= 345 mm (13 37/64 in)

INTERNAL NET VOLUME:

40 L

