



Technical Service Memo # SER0021D – G5 U.C. Anti-Tip & Overlay Installation Procedure

Owner: Paul Svenningsen

Revision: B

4/1/2026

Page 1 of 6

Statement:

To ensure quality on our genuine OEM Equipment, Perlick is issuing a Technical Service Memo for G5 undercounter series. Please read and follow the detailed procedures listed below. If you have any questions or concerns, please reach out to your dedicated support representative.

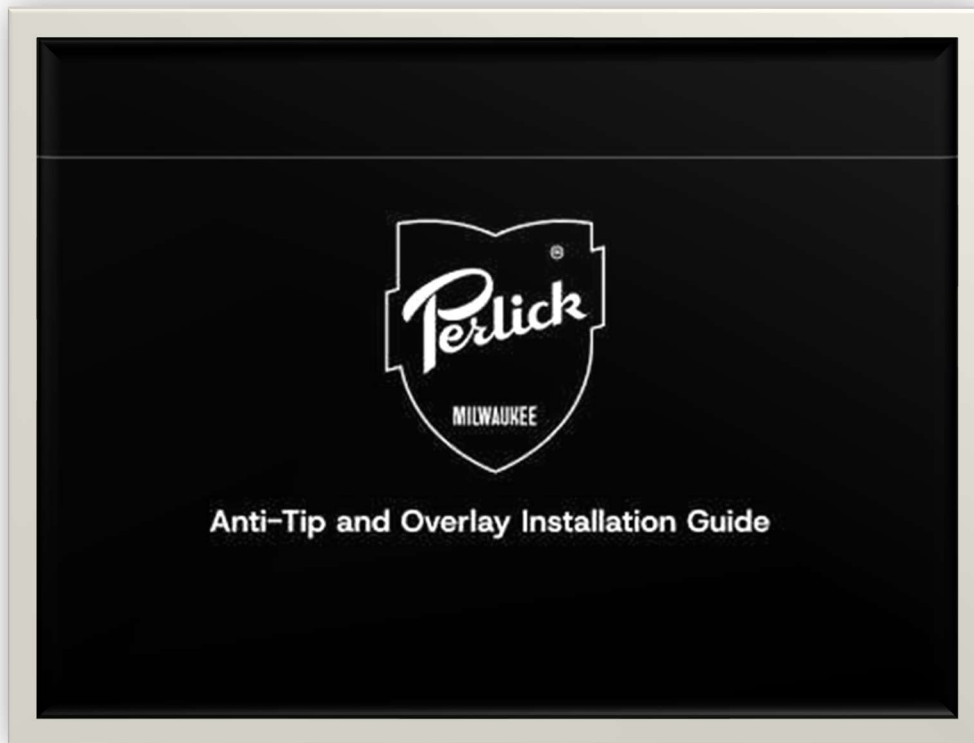
Units Effected:

- Model #'s =ALL G5 series units equipped with **DOORS** from the factory

Procedure:

Prior to installing the overlay, please follow both video and written instructions on proper installation procedures listed below.

Installation Video:

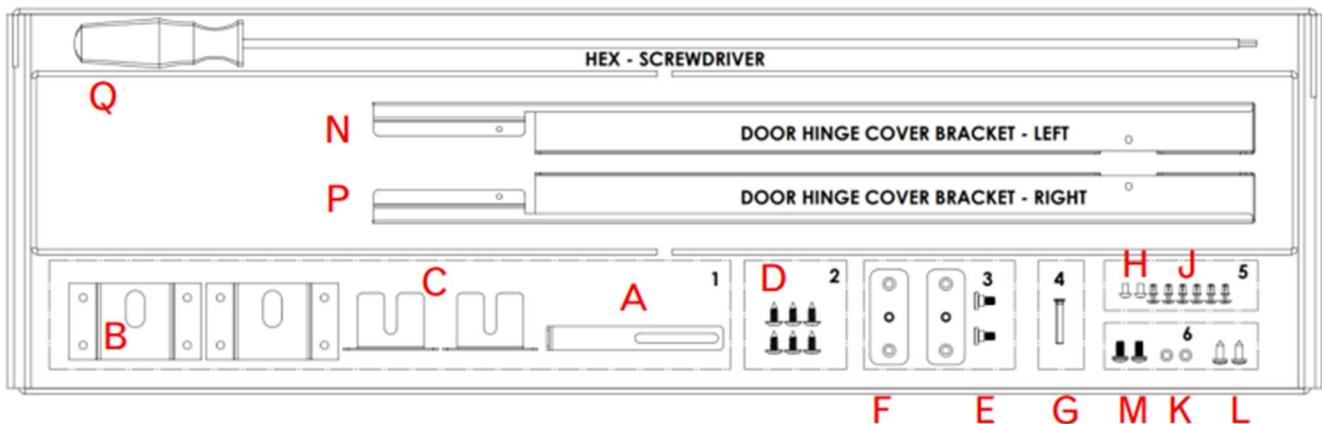


ALL HARD COPIES ARE UNCONTROLLED

Installation Guide:

KIT CONTENTS & COMPONENT IDENTIFICATION

ID	Bag	Description	Quantity
A	1	Built-In Anti-Tip Bracket	1
B		Free-Standing Wall Anti-Tip Bracket	2
C		Free-Standing Unit Anti-Tip Bracket Lock	2
D	2	Sheet Metal PH Truss Head Screw #10x1/2"	6
E	3	Custom Overlay Shoulder Bolt	2
F		Custom Overlay Mounting Bracket	2
G	4	90 Degree Stop Pin	1
H	5	PH Machine Screw #8-32 x 1/4"	2
J		Grey Nylon Snap Rivets	6
K	6	Anti-Tip Spacer	2
L		Sheet Metal PH Truss Head Screw #10x1/2"	2
M		PH Machine Screw M5 x 10mm	2
N	N/A	Door Hinge Cover Bracket - Left	1
P		Door Hinge Cover Bracket - Right	1
Q		Leveling Hex Screwdriver	1



ALL HARD COPIES ARE UNCONTROLLED

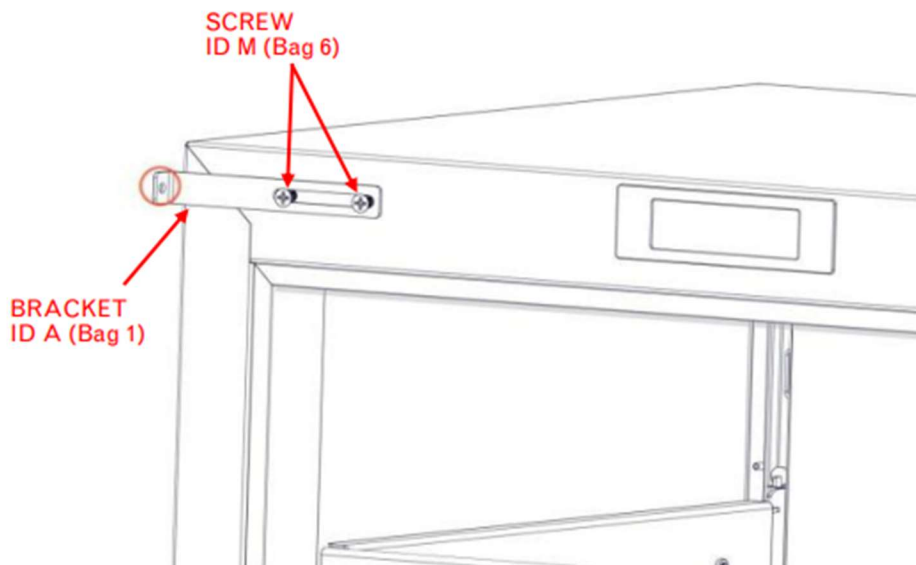
Built-In Anti-Tip Bracket Installation

Required Parts From Kit

ID	Bag	Description	Quantity
A	1	Built-In Anti-Tip Bracket	1
M	6	PH Machine Screw M5 x 10mm	2

Installation Steps for Built-In Anti-Tip Bracket:

1. Remove plastic inserts from unused hinge bracket holes.
2. Loosely attach the Alcove Anti-Tip Bracket **ID A (Bag 1)** to the front of the unit using the screws **ID M (Bag 6)**.
3. Slide the Alcove Anti-Tip Bracket **ID A (Bag 1)** until it contacts the adjacent undercounter unit.
4. Secure the bracket to the adjacent unit using appropriate fasteners (not supplied by Perlick). NOTE: The type of fastener used to attach the anti-tip bracket is dependent on the material of the adjacent undercounter unit.
5. Fully tighten the screws securing the bracket to the front of the undercounter.



ALL HARD COPIES ARE UNCONTROLLED

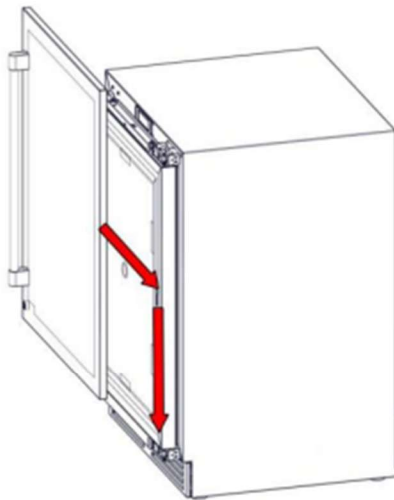
Overlay Installation

Required Parts From Kit

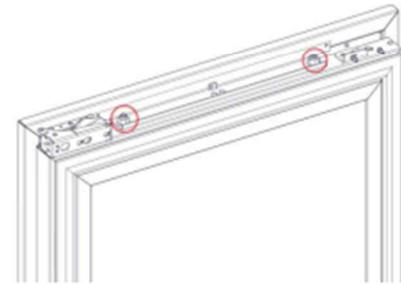
ID	Bag	Description	Quantity
D	2	Sheet Metal PH Truss Head Screw #10x1/2"	4
H	5	PH Machine Screw #8-32 x 1/4"	1
J		Grey Nylon Snap Rivets	1
N	N/A	Door Hinge Cover Bracket - Left	1
P		Door Hinge Cover Bracket - Right	1
Q		Leveling Hex Screwdriver	1

Installation Steps for Overlay:

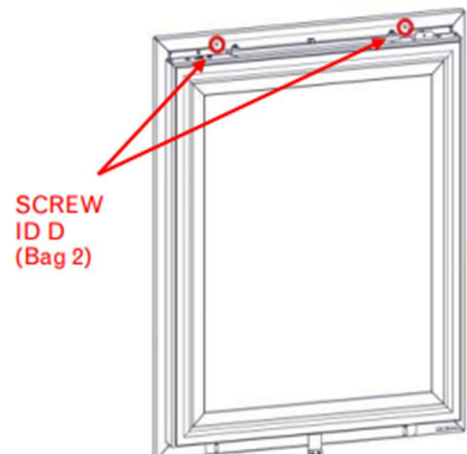
1. Lift door overlay up against the door.
2. Align shoulder bolts on the overlay to the middle of the slot in the door.
3. Once the shoulder bolts are aligned, push the overlay against the door. Then slide the door down until the shoulder bolts slide to the bottom of the slots.



4. Loosen both M8 nuts on top of the door, allowing for easier adjustment when attaching overlay.



5. Secure the top of the overlay to the door using screws **ID D (Bag 2)**, if a Perlick branded overlay was used, then screws will be in the overlay box. Ensure the screws are fully tightened.



ALL HARD COPIES ARE UNCONTROLLED

6. Attach screws **ID D (Bag 2)** to the lower holes of the overlay, **DO NOT** fully tighten the screws yet.



7. Level the overlay by adjusting standoffs in the top bracket with a 4 mm Allen key, can use Hex Screwdriver **ID Q**. Adjust overlay depth so overlay is tight to door and then tighten both M8 nuts on top of door. Then tighten bottom screws fully.



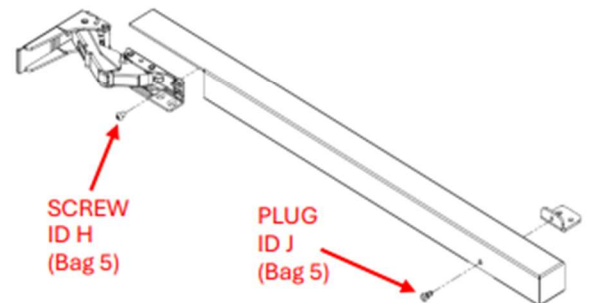
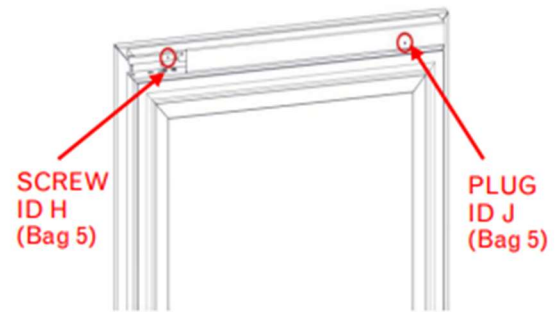
8. Install the Door Hinge Cover Bracket (Left or Right - **ID N or P**) as applicable.
If the hinge is on the left side, install

the left bracket; if the hinge is on the right side, install the right bracket.

Open the door to access the inside of the hinge. Slide the cover bracket over the upper tilt support bracket. The cover bracket should slide over and behind the hinge.

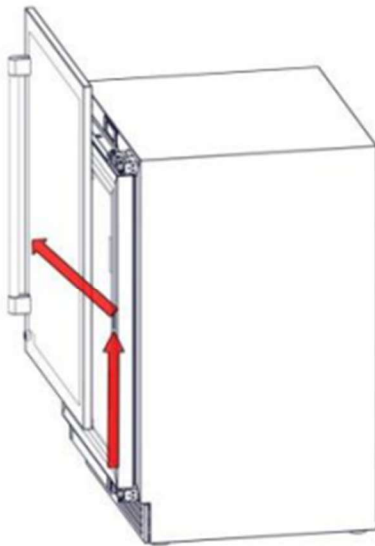
Align the holes on the hinge and the cover bracket. Insert the supplied screw **ID H (Bag 5)** from the inside of the hinge (with the door open), passing it through the clearance hole in the hinge and fastening it directly to the cover bracket.

Finally, secure the opposite side of the cover bracket to the L-shaped bracket using the supplied Nylon Plug **ID J (Bag 5)**.



Uninstallation of the overlay is done using the reverse order of the installation instructions.

NOTE: *Once screws are removed from the tilt support brackets, **slide the overlay up** so the shoulder bolts can clear the slot.*



Contacts:

Communicate this information throughout your networks and be aware of updated information in relation to this Technical Service Memo. If you have any questions, please contact:

Technical Support

techsupport@perlick.com

1-844-411-8050

Revision

Revision	Date	Approver	Changes
B	4/1/2026	P.S.	Initial Release

ALL HARD COPIES ARE UNCONTROLLED