

Vent-A-Hood[®]

Air Recovery System

ARS Duct-Free Range Hoods



What makes Vent-A-Hood's Air Recovery System so special?

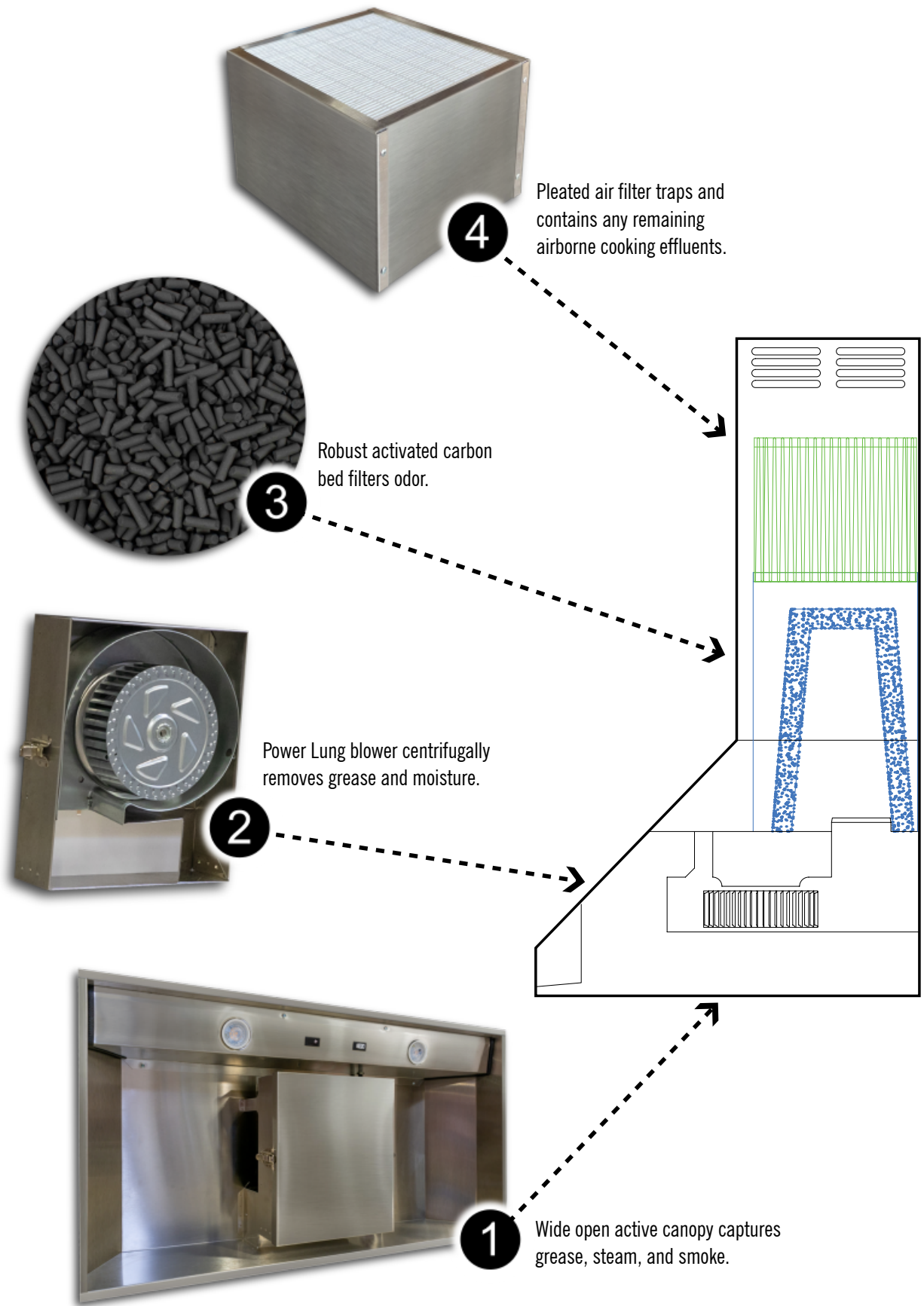
Cooking byproducts can spread through an entire house in minutes. Grease, oil, and odors settle into carpets, furniture, clothing and build up over time.

The 4-phase Air Recovery System is the most effective solution for recirculating kitchen ventilation. Made with pride in the USA by the kitchen ventilation experts, Vent-A-Hood brings quality, craftsmanship, and performance to duct-free kitchen ventilation.

Personalize your hood with a wide selection of material/color options, trim, and accessories to fit your unique style. Duct-free hoods available in wall mounted, under cabinet, liner insert, and island models. The ARS series gives you design freedom in any kitchen setting.



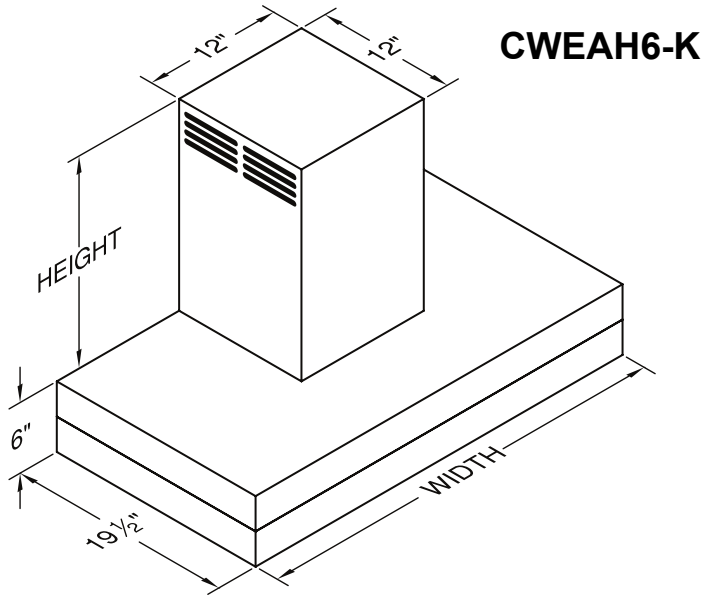
The Vent-A-Hood 4-phase Air Recovery System



Wall Mount



Wall Mount



CWEAH6-K

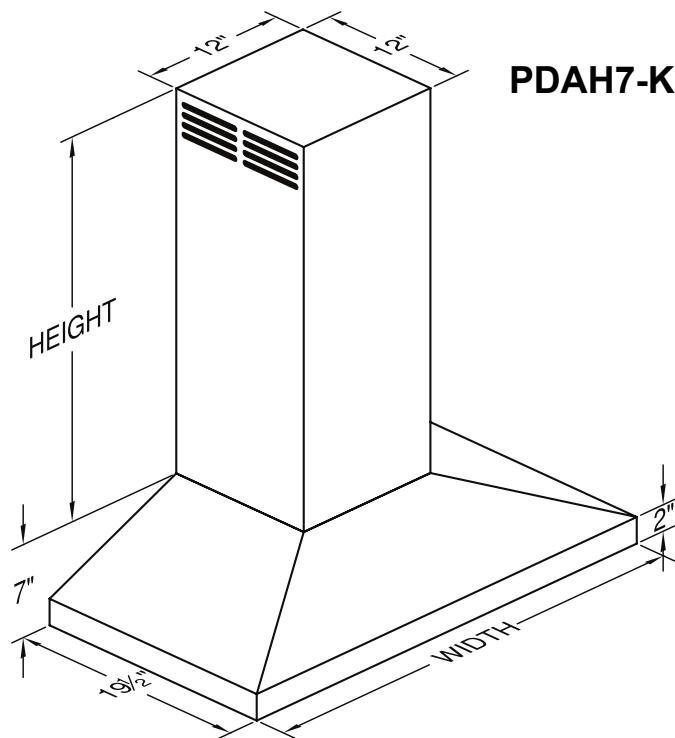
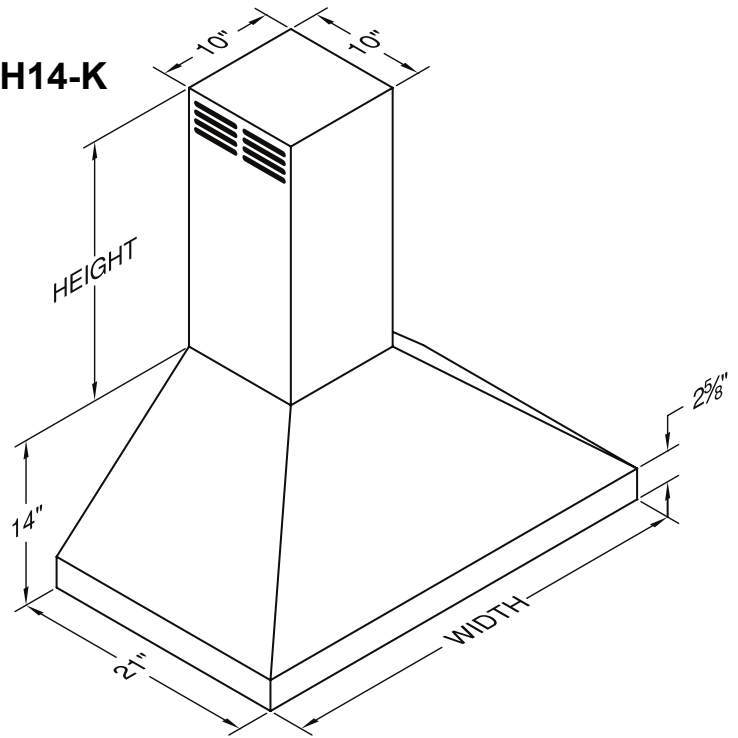
Hood Model	Width	Filter Assembly	Mounting Height
CWEAH6-K30	30"	ARS-12/10C	24"
CWEAH6-K36	36"		
CWEAH6-K42	42"		
CWEAH6-K48	48"		

Duct Cover Model	Height	Ceiling Height
W6DCAND-12/18	18"	7'
W6DCAND-12/30	30"	8'
W6DCAND-12/42	42"	9'

Hood Model	Width	Filter Assembly	Mounting Height
PDAH14-K30	30"	ARS-10C	24"
PDAH14-K36	36"		
PDAH14-K42	42"		
PDAH14-K48	48"		

Duct Cover Model	Height	Ceiling Height
WDCAND-10/22	22"	8'
WDCAND-10/34	34"	9'

PDAH14-K



PDAH7-K

Hood Model	Width	Filter Assembly	Mounting Height
PDAH7-K30	30"	ARSLP-12/10C	24"
PDAH7-K36	36"		

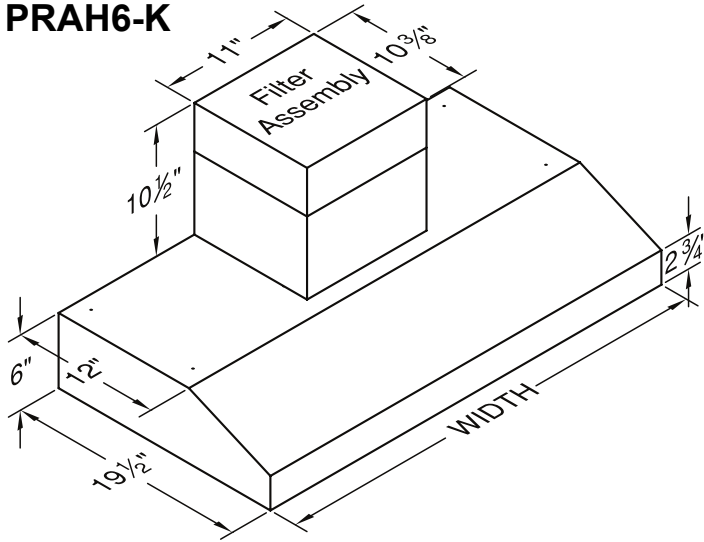
Duct Cover Model	Height	Ceiling Height
W7DCAND-12/17	17"	7'
W7DCAND-12/29	29"	8'
W7DCAND-12/41	41"	9'

Under Cabinet



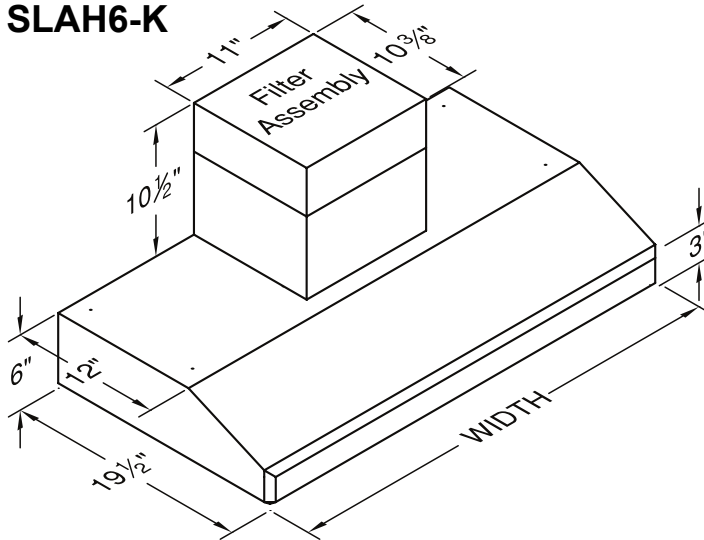
Under Cabinet

PRAH6-K



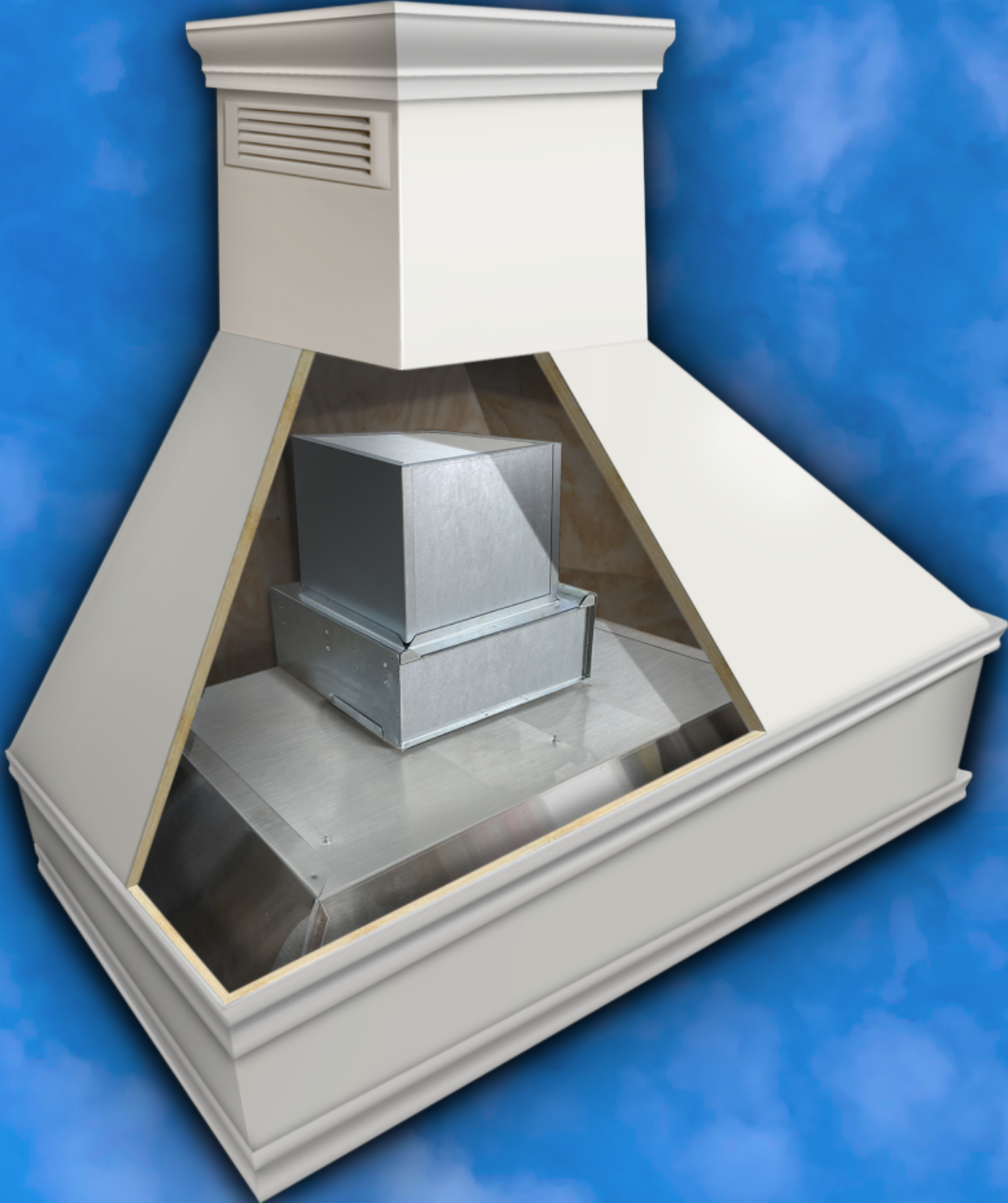
Hood Model	Width	Filter Assembly	Mounting Height
PRAH6-K24	24"	ARSUC-12/10C	21" - 24"
PRAH6-K30	30"		
PRAH6-K36	36"		
PRAH6-K42	42"		

SLAH6-K



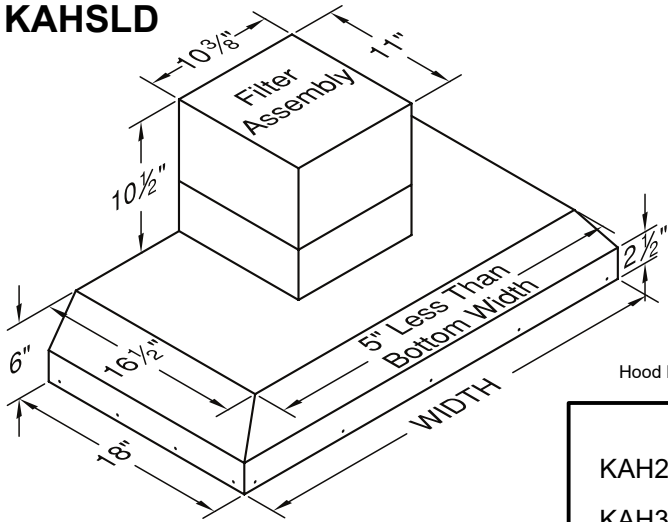
Hood Model	Width	Filter Assembly	Mounting Height
SLAH6-K24	24"	ARSUC-12/10C	21" - 24"
SLAH6-K30	30"		
SLAH6-K36	36"		
SLAH6-K42	42"		

Liner Insert



Liner Insert

KAHSLD

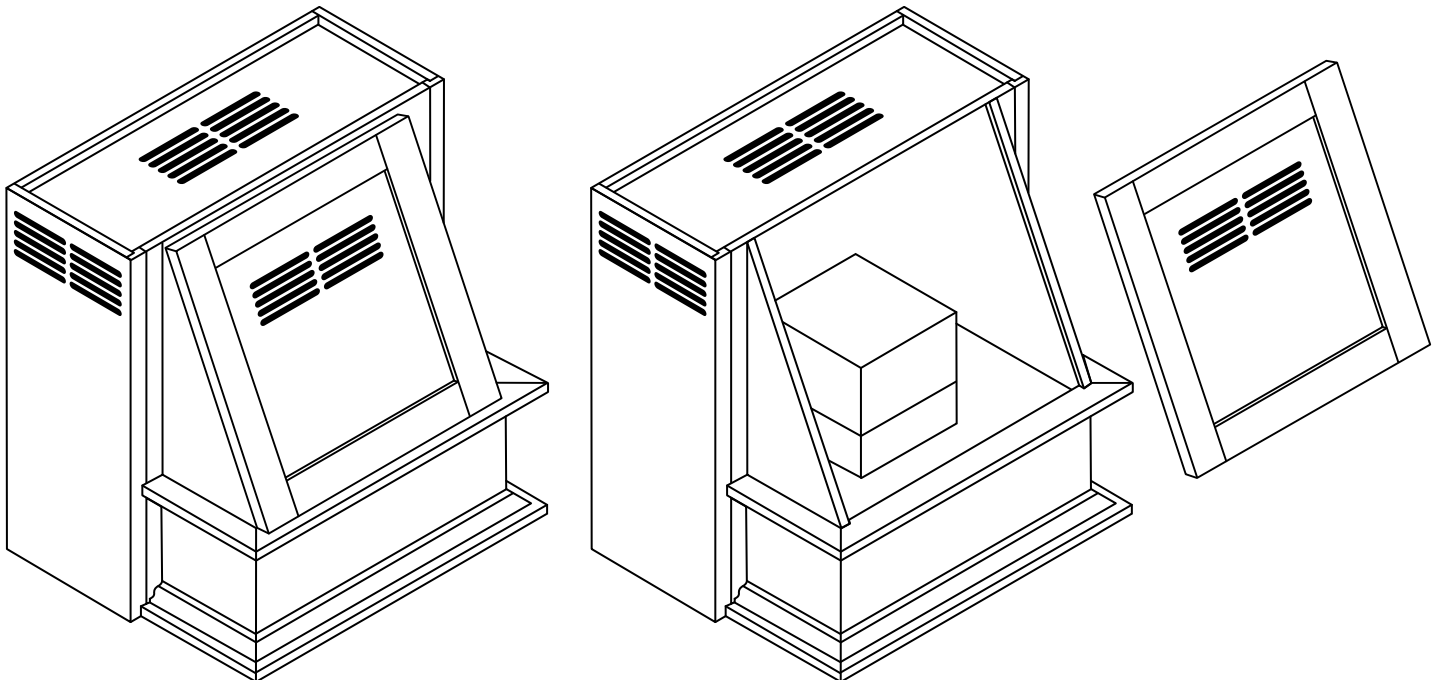


Hood Model	Width	Optional Trim Kit	Filter Assembly	Mounting Height
KAH28SLD	28- ³ / ₈ "	TKK28SLD	ARSLP-12/10C	21"- 24"
KAH34SLD	34- ³ / ₈ "	TKK34SLD		
KAH40SLD	40- ³ / ₈ "	TKK40SLD		

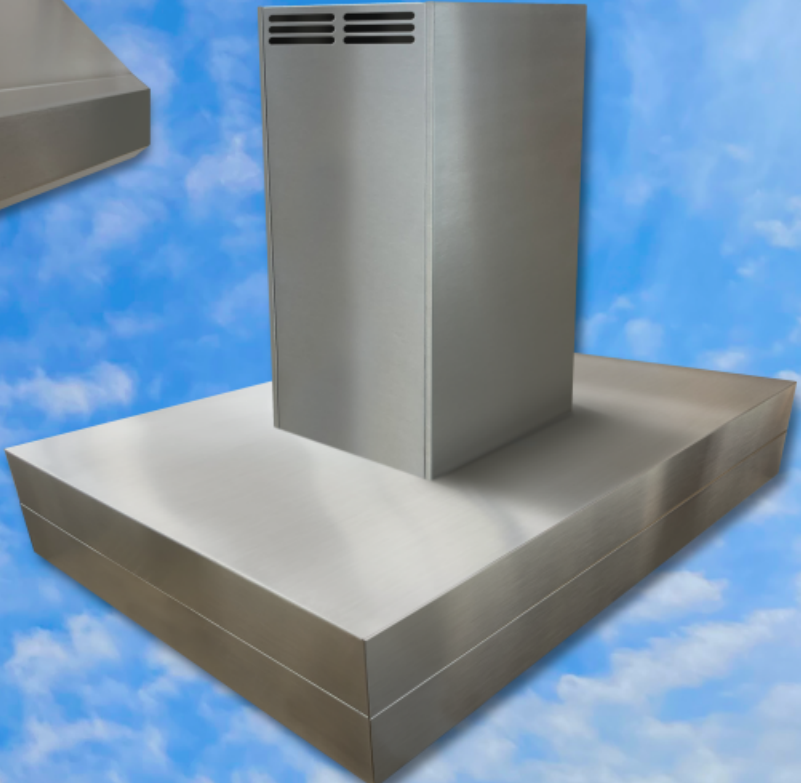
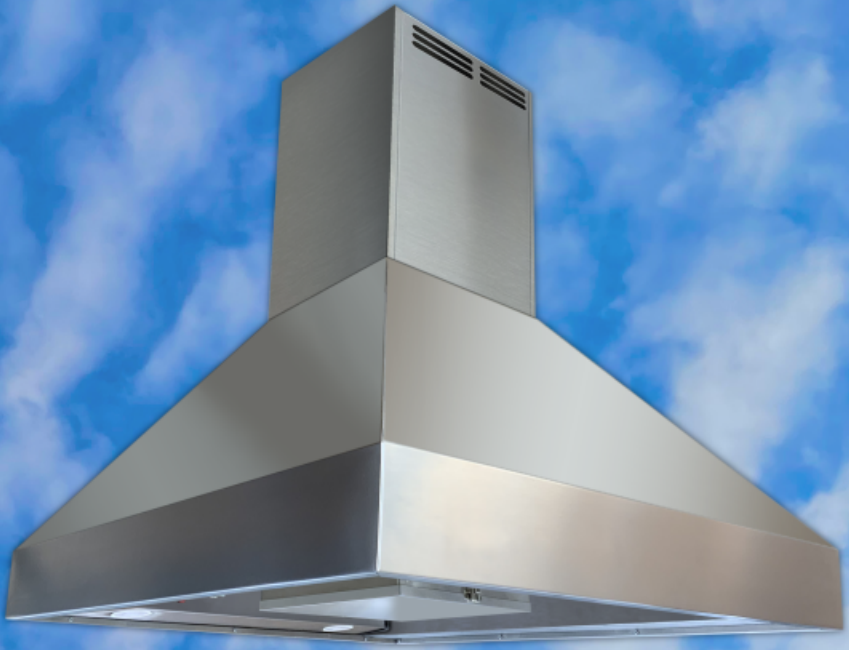
Things to consider when planning for a recirculating hood liner or under cabinet installation.

The ARS filter assembly requires a minimum of 25 square inches of exhaust opening located in the top, sides, or front of the wood canopy.

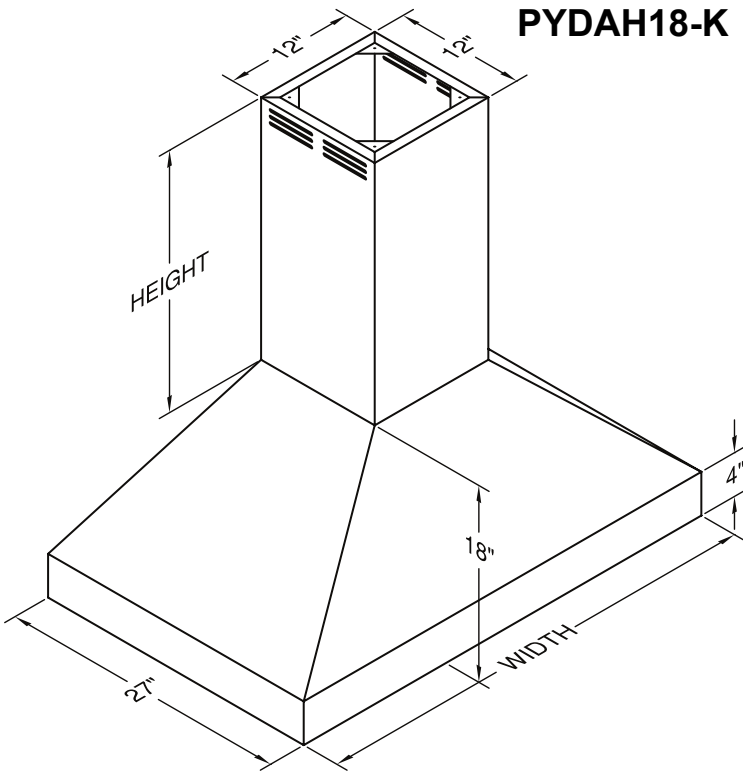
Access to the ARS filter assembly is required for routine maintenance.



Island

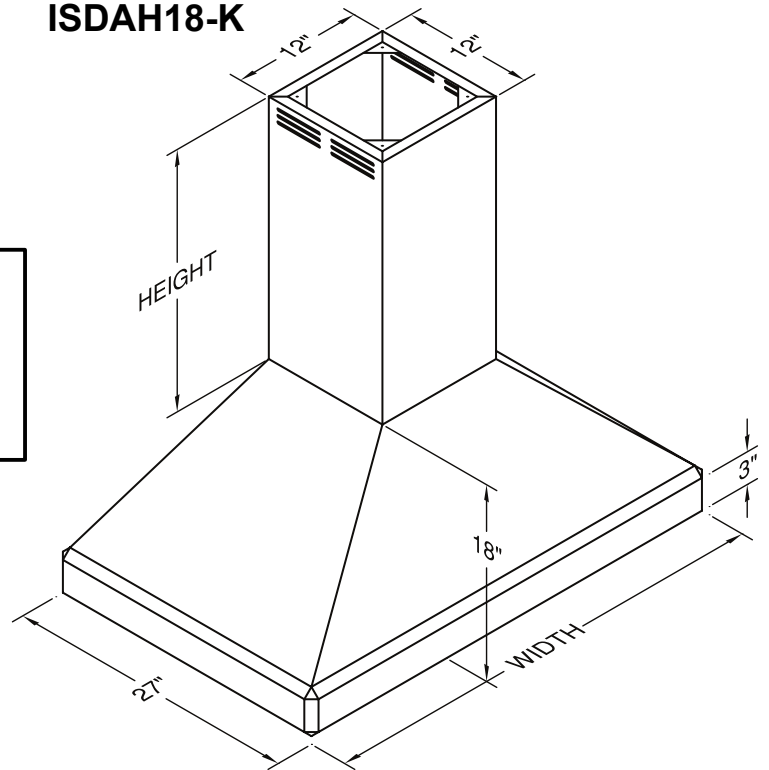


PYDAH18-K



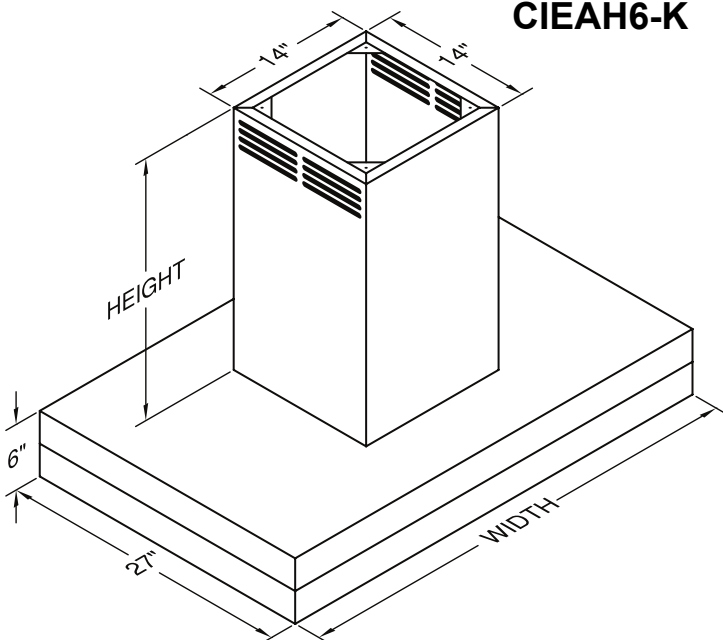
Hood Model	Width	Filter Assembly	Mounting Height
PYDAH18-K36	36"	ARSLP-12/10C	30"
PYDAH18-K42	42"		
Duct Cover Model	Height	Ceiling Height	
IDCAND-12/24	24"	9'	
IDCAND-12/36	36"	10'	

ISDAH18-K

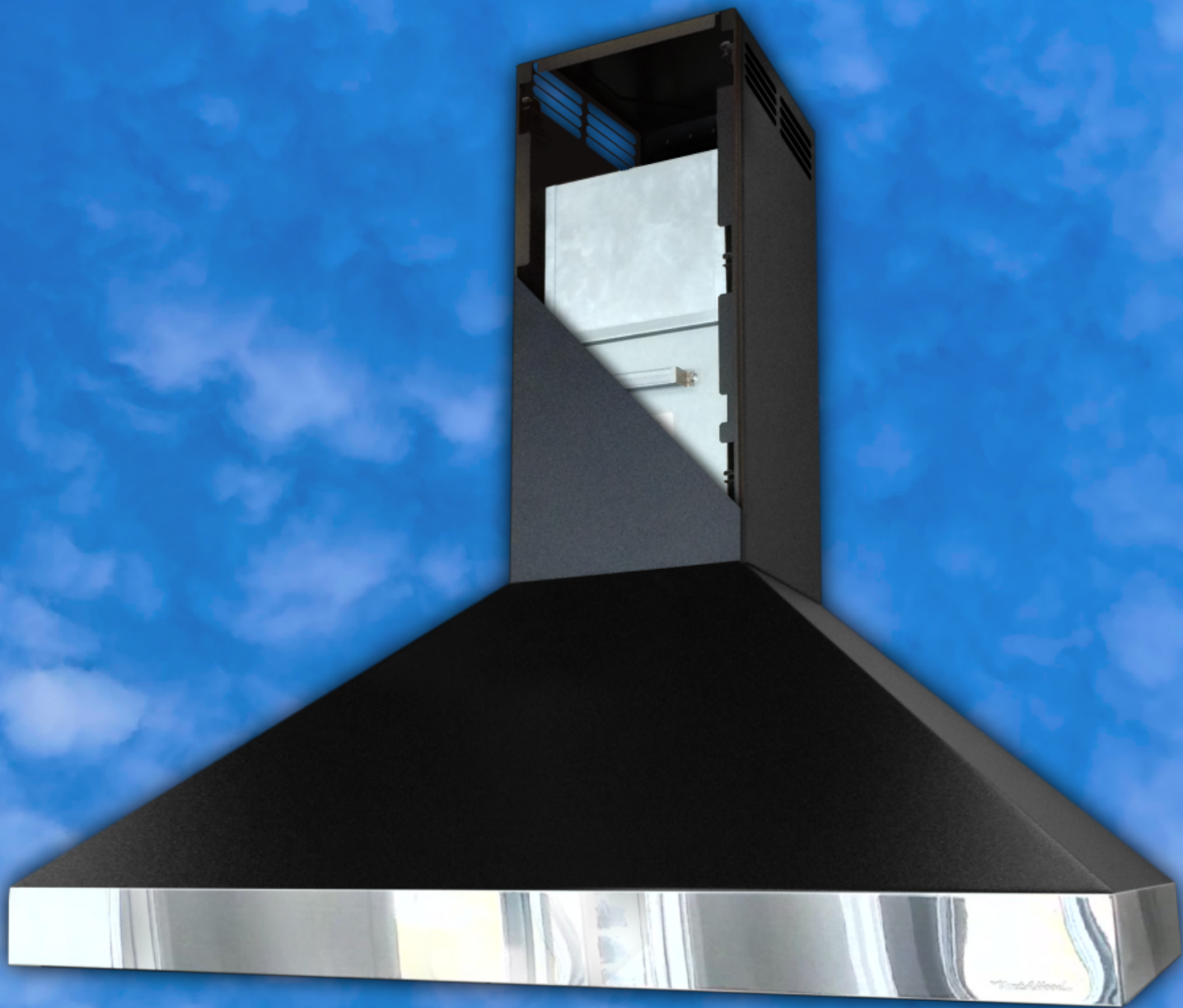


Hood Model	Width	Filter Assembly	Mounting Height
ISDAH18-K36	36"	ARSLP-12/10C	30"
ISDAH18-K42	42"		
Duct Cover Model	Height	Ceiling Height	
IDCAND-12/24	24"	9'	
IDCAND-12/36	36"	10'	

CIEAH6-K



Hood Model	Width	Filter Assembly	Mounting Height
CIEAH6-K36	36"	ARSLP-12/10C	30"
CIEAH6-K42	42"		
Duct Cover Model	Height	Ceiling Height	
IDCAND-14/24	24"	8'	
IDCAND-14/36	36"	9'	



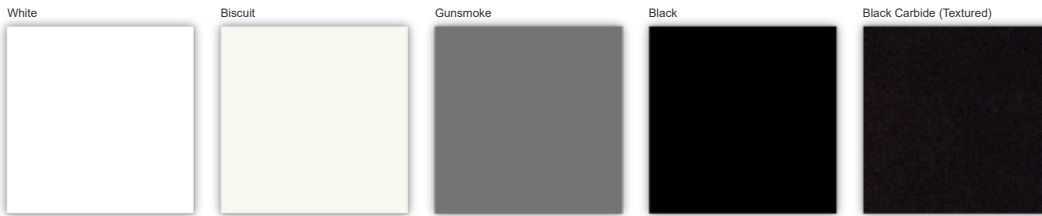
Material/Paint Finishes, Trim, & More

All colors and finishes are digital representations and may vary from reality. Material options are not available for all models. Contact Shady Oak Distributing for physical samples or more information.

Material



Standard Paint



Special Paint



Canopy Edge Detail

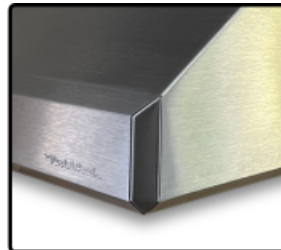
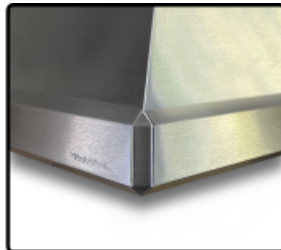
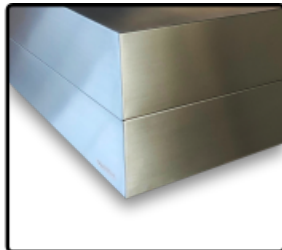
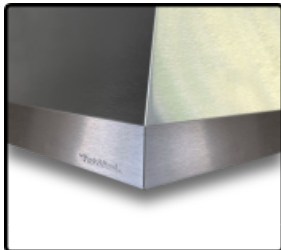
PDAH14-K
PDAH7-K
PYDAH18-K

CWEAH6-K
CIEAH6-K

ISDAH18-K

PRAH6-K

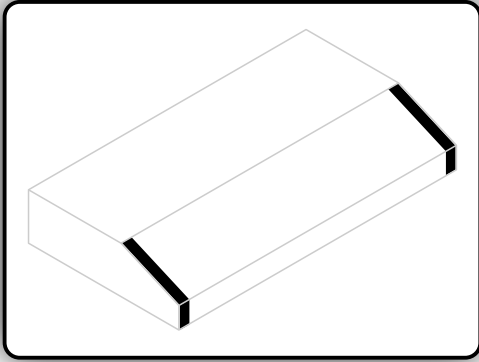
SLAH6-K



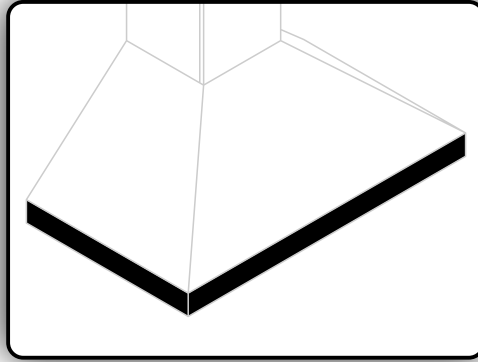


Material/Paint Finishes, Trim, & More

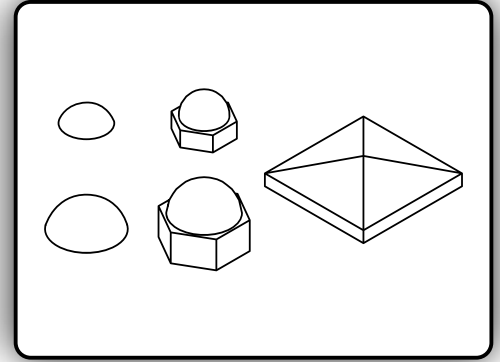
Bands (Vertical Trim) available in 18 gauge, 1/8", & 1/4" thick



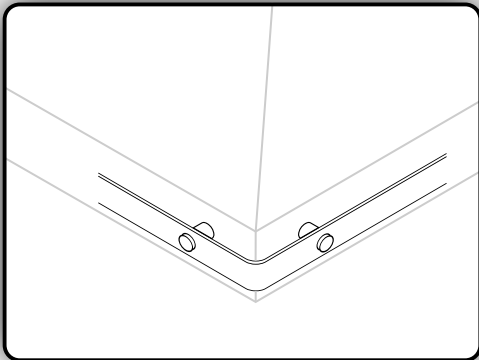
Lip Treatment (Horizontal Trim) available in 18 gauge, 1/8", & 1/4" thick



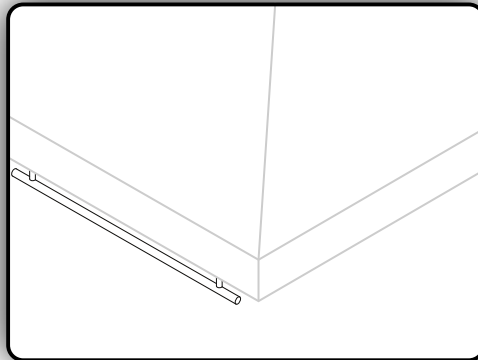
Band & Lip Treatment Attachments available in small or large rivets, small or large hex nuts, & clavos



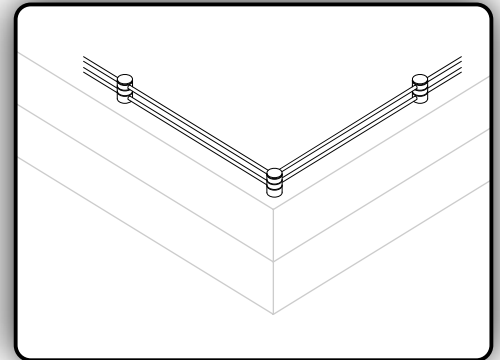
Versa Rail (Pot Rail)



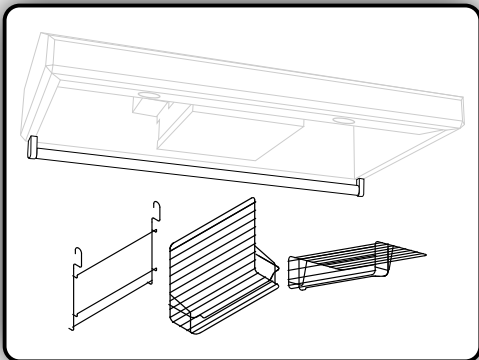
Fixed End Rail



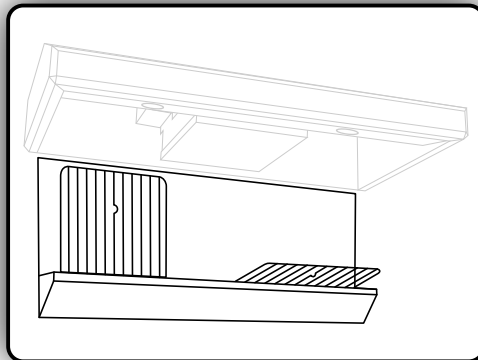
Galley Rail



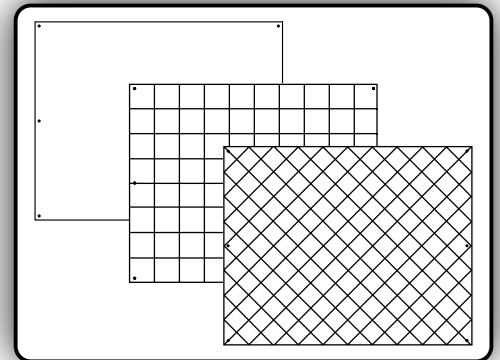
WRO & WROL Accessory Rail with Shelves/Spice Racks



WSO Warming Shelf



Backsplash Panels





Distributed by & displayed at:
Shady Oak Distributing, Inc.
616 13th Ave South
Hopkins, MN 55343

952.935.3305
info@shadyoakdist.com
shadyoakdist.com
ventahood.com

All colors, finishes, and models are
photographic representations that may
vary from reality. Product details are
subject to change without notice.